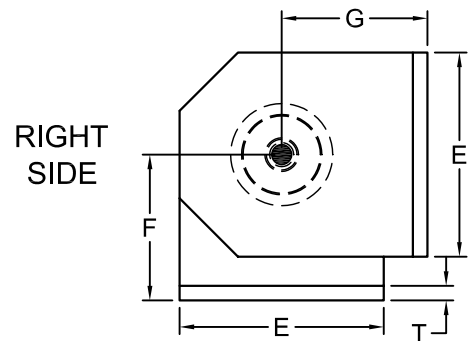
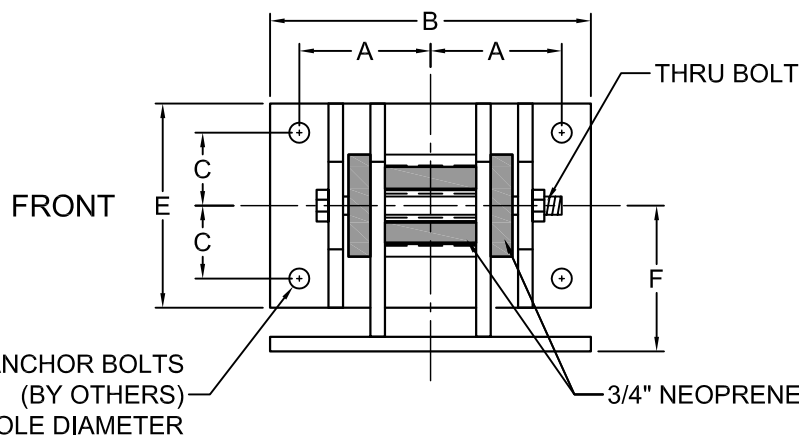
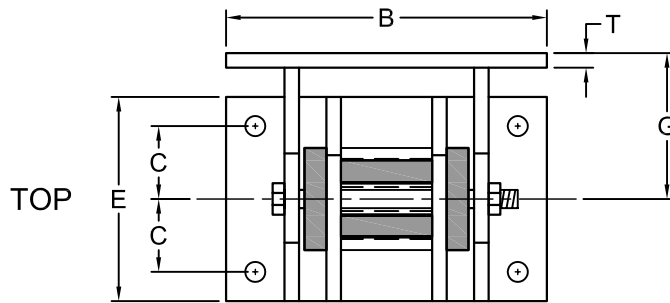




Novia Associates, Inc.
 1 Northwestern Dr.
 Salem, NH 03079
 Ph: 603-898-8600
 Fax: 603-898-2755
 email: info@noviaassociates.com

PROJECT :
 CUSTOMER :

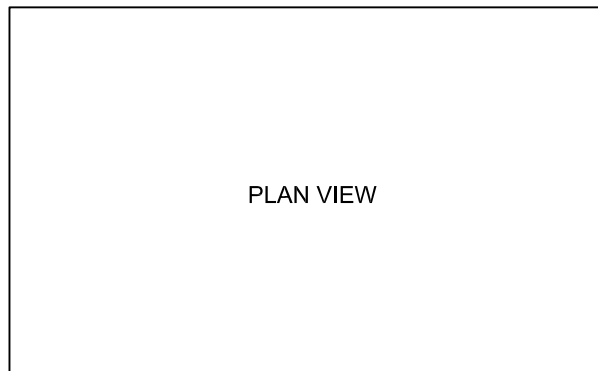
SS
 SEISMIC
 SNUBBER
 SS 200 11/01/02



SS DIMENSIONS (IN)										
SIZE	CAPAC (LBS)	A	AB	B	C	D	E	F	G	T
5000	5000	4 1/2	5/8	11	2 1/2	3/4	7	5	5	1/2
13000	13000	6	1	14 1/2	2 3/4	1 1/8	8	5 3/4	5 3/4	3/4
25000	25000	6 3/8	1 1/4	16	2 3/4	1 3/8	10	7	7	1

CERTIFICATION DATA

TAG _____
 UNIT _____



PLAN VIEW

BY:

DATE:

DWG#: