



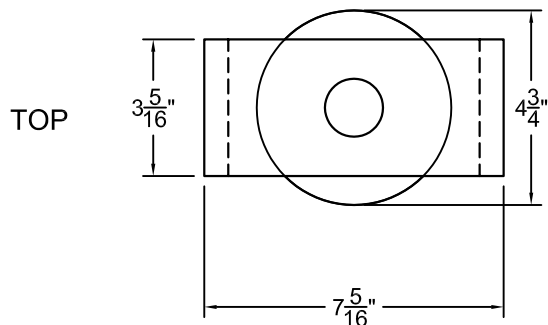
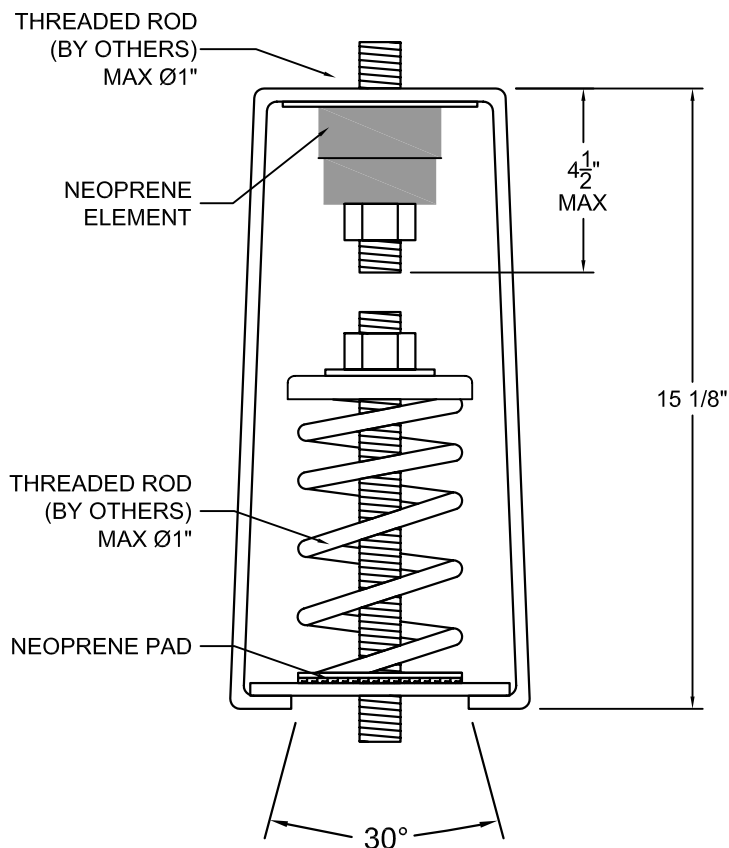
Novia Associates, Inc.
 1 Northwestern Dr.
 Salem, NH 03079
 Ph: 603-898-8600
 Fax: 603-898-2755
 email: info@noviaassociates.com

PROJECT: _____

CUSTOMER: _____

SNH-E

3" DEFLECTION
 SPRING & NEOPRENE
 HANGER
 SNH-E 100 12/01/05



SPRING DATA				
SIZE	RATED CAPAC (LBS)	RATED DEFL (IN)	SPRING CONST (LBS/IN)	COLOR
E-311	311	3.84	93	ORG
E-410	410	3.70	128	RED
E-608	608	3.88	180	BLUE
E-774	774	3.72	240	GRN
E-1002	1002	3.96	290	BLK
E-1240	1240	3.52	410	GRAY
CORE SPRINGS: *683 RED; **1125 GREEN				
SPRING O.D.	FREE HGT	RATIO OD/OH		
4.00"	7.62"	0.89 - 0.91		

CERTIFICATION DATA

TAG _____
 UNIT _____



MOUNT LOCATION PLAN VIEW

1	2
3	4
5	6
7	8
9	10

MATERIAL FOR ONE SET _____ SET(S) REQUIRED

BY:

DATE:

DWG#:



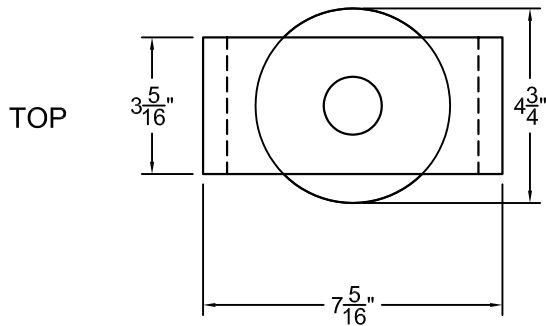
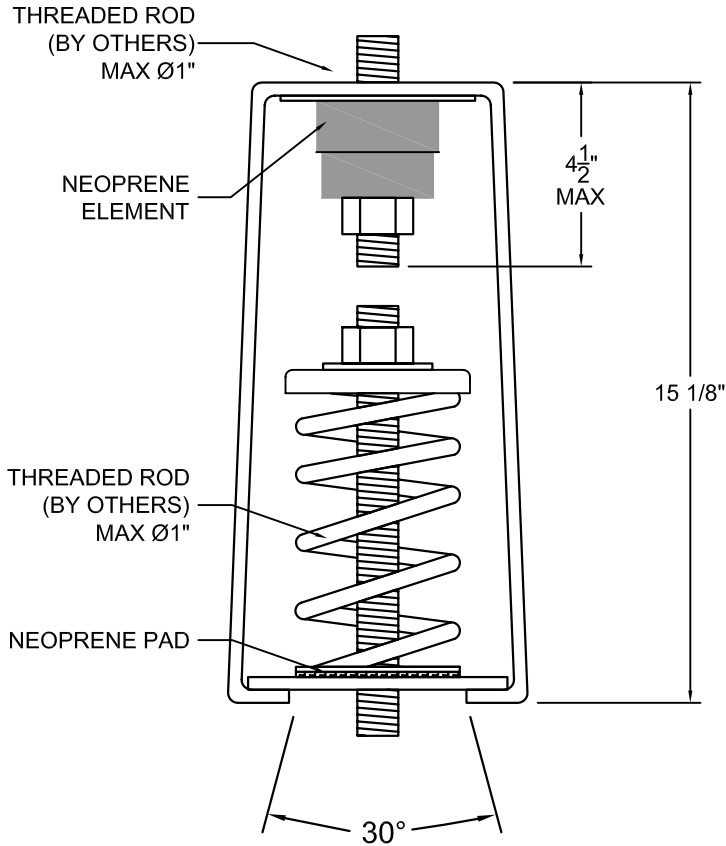
Novia Associates, Inc.
 1 Northwestern Dr.
 Salem, NH 03079
 Ph: 603-898-8600
 Fax: 603-898-2755
 email: info@noviaassociates.com

PROJECT: _____

CUSTOMER: _____

SNH-E

3" DEFLECTION
 SPRING & NEOPRENE
 HANGER
 SNH-E 100 12/01/05



SPRING DATA				
SIZE	RATED CAPAC (LBS)	RATED DEFL (IN)	SPRING CONST (LBS/IN)	COLOR
E-311	311	3.84	93	ORG
E-410	410	3.70	128	RED
E-608	608	3.88	180	BLUE
E-774	774	3.72	240	GRN
E-1002	1002	3.96	290	BLK
E-1240	1240	3.52	410	GRAY

CORE SPRINGS: *683 RED; **1125 GREEN

SPRING O.D.	FREE HGT	RATIO OD/OH
4.00"	7.62"	0.89 - 0.91

CERTIFICATION DATA

BY:

DATE:

DWG#: