



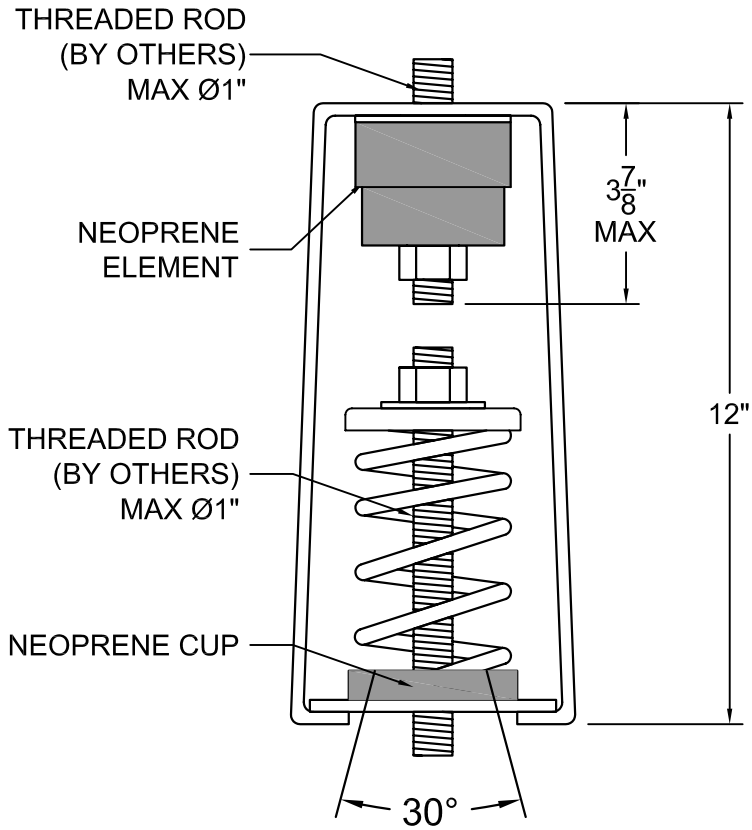
Novia Associates, Inc.
 1 Northwestern Dr.
 Salem, NH 03079
 Ph: 603-898-8600
 Fax: 603-898-2755
 email: info@noviaassociates.com

PROJECT: _____

CUSTOMER: _____

SNH-D

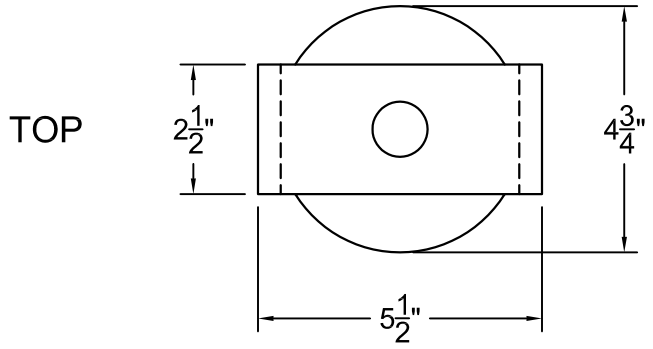
2" DEFLECTION
 SPRING & NEOPRENE
 HANGER
 SNH-D 100 09/12/06



SPRING DATA				
SIZE	RATED CAPAC (LBS)	RATED DEFL (IN)	SPRING CONST (LBS/IN)	COLOR
D-236	236	2.76	100	ORANGE
D-352	352	2.75	150	RED
D-410	400	2.40	205	BLUE
D-624	624	2.48	300	GREEN
D-840	840	2.40	420	BLACK
D-1000	1000	2.40	500	GRAY

SPRING O.D.	FREE HGT	RATIO OD/OH
3.00"	5.375"	0.89 - 0.99

*Rated Deflection combines spring and neoprene element deflection



CERTIFICATION DATA

TAG _____

UNIT _____

MOUNT LOCATION PLAN VIEW

1	2
3	4
5	6
7	8
9	10

MATERIAL FOR ONE SET _____ SET(S) REQUIRED



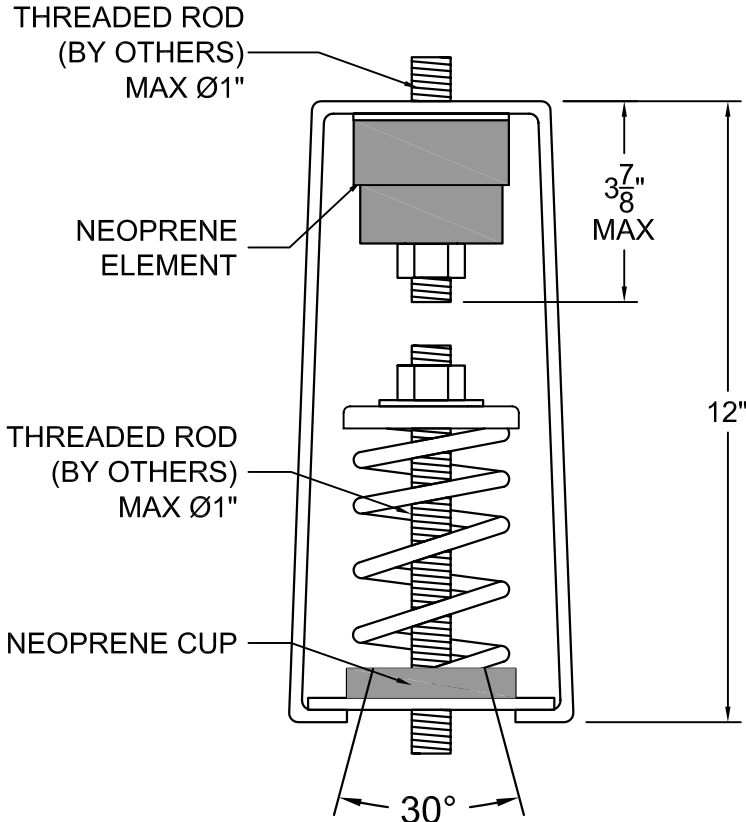
Novia Associates, Inc.
 1 Northwestern Dr.
 Salem, NH 03079
 Ph: 603-898-8600
 Fax: 603-898-2755
 email: info@
 noviaassociates.com

PROJECT: _____

CUSTOMER: _____

SNH-D

2" DEFLECTION
 SPRING & NEOPRENE
 HANGER
 SNH-D 100 09/12/06



SPRING DATA				
SIZE	RATED CAPAC (LBS)	RATED DEFL (IN)	SPRING CONST (LBS/IN)	COLOR
D-236	236	2.76	100	ORANGE
D-352	352	2.75	150	RED
D-410	400	2.40	205	BLUE
D-624	624	2.48	300	GREEN
D-840	840	2.40	420	BLACK
D-1000	1000	2.40	500	GRAY

SPRING O.D.	FREE HGT	RATIO OD/OH
3.00"	5.375"	0.89 - 0.99

*Rated Deflection combines spring and neoprene element deflection

CERTIFICATION DATA

BY:

DATE:

DWG#: