



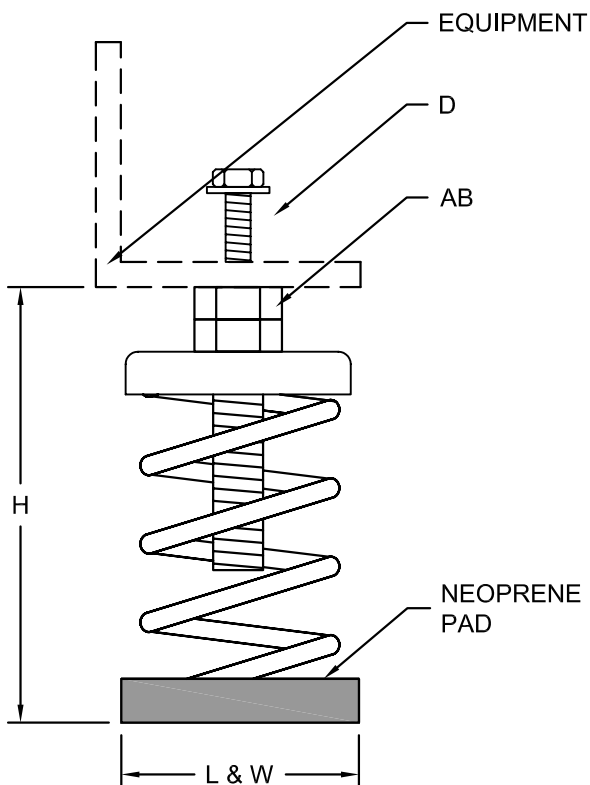
Novia Associates, Inc.
 1 Northwestern Dr.
 Salem, NH 03079
 Ph: 603-898-8600
 Fax: 603-898-2755
 email: info@noviaassociates.com

PROJECT: _____

CUSTOMER: _____

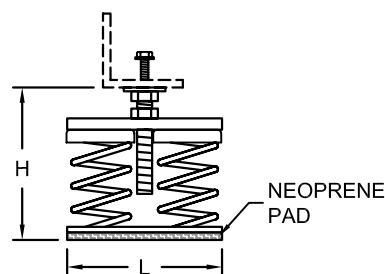
SM-D

2" DEFLECTION
 SPRING MOUNTING
 SM-D 100 06/19/09



SPRING DATA				
SIZE	RATED CAPAC (LBS)	RATED DEFL (IN)	SPRING CONST (LBS/IN)	COLOR
D-236	236	2.36	100	ORG
D-352	352	2.35	150	RED
D-410	410	2.00	205	BLUE
D-624	624	2.08	300	GREEN
D-840	840	2.00	420	BLACK
D-1000	1000	2.00	500	GRAY
D-1200	1200	2.00	600	BLACK*
D-1360	1360	2.00	680	GRAY*
D-1640	1640	2.00	820	BLACK**
D-1800	1800	2.00	900	GRAY**
D2-2400	2400	2.00	1200	BLACK*
D2-2720	2720	2.00	1360	GRAY*
D2-3280	3280	2.00	1640	BLACK**
D2-3600	3600	2.00	1800	GRAY**
D4-4000	4000	2.00	2000	GRAY
D4-4800	4800	2.00	2400	BLACK*
D4-5440	5440	2.00	2720	GRAY*
D4-6560	6560	2.00	3280	BLACK**
D4-7200	7200	2.00	3600	GRAY**

CORE SPRINGS: *360 RED; **800 BLUE
 D = 1 SPRING D2 = 2 SPRINGS D4 = 4 SPRINGS



TWO & FOUR SPRING

SPRING O.D.	FREE HGT	RATIO OD/OH
3.00"	5.375"	0.89 - 0.99

SM DIMENSIONS (IN)					
SIZE	L	W	H	AB	D
D	3	3	7-1/4	5/8	3/8
D2	7	3	7-1/4	3/4	3/8
D4	7	7	7-1/4	3/4	3/8

H = FREE & OPERATING HEIGHT

CERTIFICATION DATA

TAG _____
 UNIT _____



MOUNT LOCATION PLAN VIEW

1	2
3	4
5	6
7	8
9	10

MATERIAL FOR ONE SET _____ SET(S) REQUIRED

BY:

DATE:

DWG#:



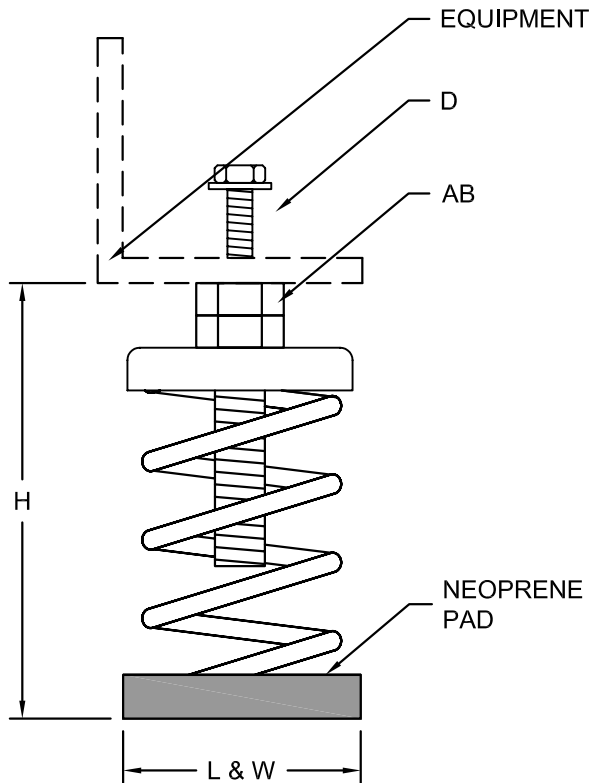
Novia Associates, Inc.
 1 Northwestern Dr.
 Salem, NH 03079
 Ph: 603-898-8600
 Fax: 603-898-2755
 email: info@noviaassociates.com

PROJECT: _____

CUSTOMER: _____

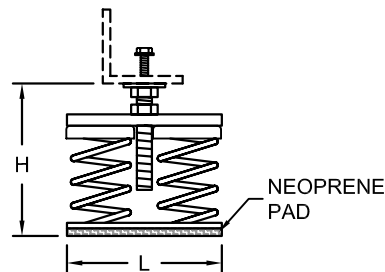
SM-D

2" DEFLECTION
 SPRING MOUNTING
 SM-D 100 06/19/09



SPRING DATA				
SIZE	RATED CAPAC (LBS)	RATED DEFL (IN)	SPRING CONST (LBS/IN)	COLOR
D-236	236	2.36	100	ORG
D-352	352	2.35	150	RED
D-410	410	2.00	205	BLUE
D-624	624	2.08	300	GREEN
D-840	840	2.00	420	BLACK
D-1000	1000	2.00	500	GRAY
D-1200	1200	2.00	600	BLACK*
D-1360	1360	2.00	680	GRAY*
D-1640	1640	2.00	820	BLACK**
D-1800	1800	2.00	900	GRAY**
D2-2400	2400	2.00	1200	BLACK*
D2-2720	2720	2.00	1360	GRAY*
D2-3280	3280	2.00	1640	BLACK**
D2-3600	3600	2.00	1800	GRAY**
D4-4000	4000	2.00	2000	GRAY
D4-4800	4800	2.00	2400	BLACK*
D4-5440	5440	2.00	2720	GRAY*
D4-6560	6560	2.00	3280	BLACK**
D4-7200	7200	2.00	3600	GRAY**

CORE SPRINGS: *360 RED; **800 BLUE
 D = 1 SPRING D2 = 2 SPRINGS D4 = 4 SPRINGS



TWO & FOUR SPRING

SPRING O.D.	FREE HGT	RATIO OD/OH
3.00"	5.375"	0.89 - 0.99

SM DIMENSIONS (IN)					
SIZE	L	W	H	AB	D
D	3	3	7-1/4	5/8	3/8
D2	7	3	7-1/4	3/4	3/8
D4	7	7	7-1/4	3/4	3/8

H = FREE & OPERATING HEIGHT

CERTIFICATION DATA

BY:

DATE:

DWG#: