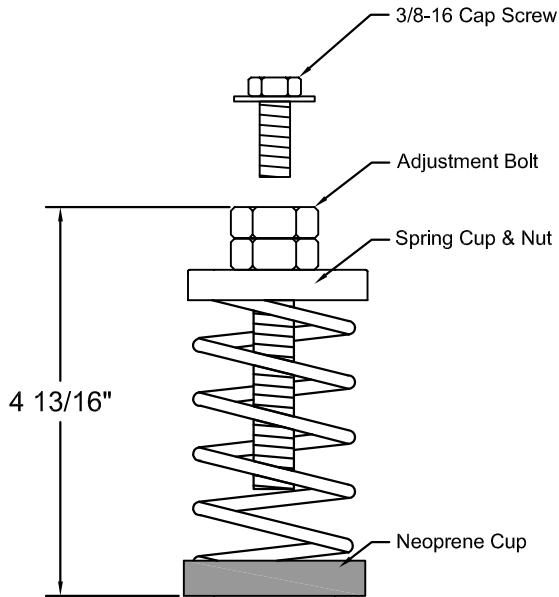


Novia Associates, Inc.
 1 Northwestern Dr.
 Salem, NH 03079
 Ph: 603-898-8600
 Fax: 603-898-2755
 email: info@
 noviaassociates.com

PROJECT: _____
 CUSTOMER: _____

SM-2B

2" DEFLECTION
 SPRING MOUNTING
 SM-2B 110 07/25/13



SPRING DATA				
SIZE	RATED CAPAC (LBS)	*RATED DEFL (IN)	SPRING CONST (LBS/IN)	COLOR
2B-23	23	2.30	11.25	GRN
2B-45	45	2.30	22.5	ORG
2B-90	90	2.30	45	BLUE
2B-140	140	2.30	70	BLK
2B-200	200	2.30	100	GRAY

SPRING O.D.	FREE HGT	RATIO OD/OH
2.00"	3.68"	1.19 MIN

SM-2B DIMENSIONS (IN)		
SIZE	DIAM.	H
2B	2 3/8	4 13/16

H = FREE & OPERATING HEIGHT

CERTIFICATION DATA

TAG _____
 UNIT _____



MOUNT LOCATION PLAN VIEW

1	2
3	4
5	6
7	8
9	10

MATERIAL FOR ONE SET _____ SET(S) REQUIRED

BY:

DATE:

DWG#:



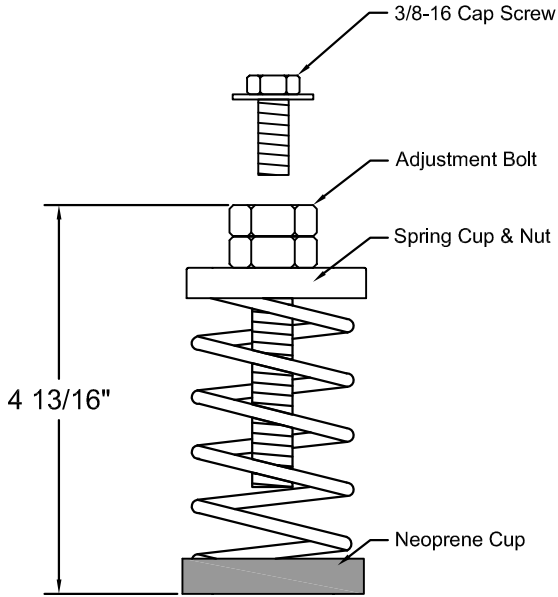
Novia Associates, Inc.
 1 Northwestern Dr.
 Salem, NH 03079
 Ph: 603-898-8600
 Fax: 603-898-2755
 email: info@noviaassociates.com

PROJECT: _____

CUSTOMER: _____

SM-2B

2" DEFLECTION
 SPRING MOUNTING
 SM-2B 110 07/25/13



SPRING DATA				
SIZE	RATED CAPAC (LBS)	*RATED DEFL (IN)	SPRING CONST (LBS/IN)	COLOR
2B-23	23	2.30	11.25	GRN
2B-45	45	2.30	22.5	ORG
2B-90	90	2.30	45	BLUE
2B-140	140	2.30	70	BLK
2B-200	200	2.30	100	GRAY

SPRING O.D.	FREE HGT	RATIO OD/OH
2.00"	3.68"	1.19 MIN

SM-2B DIMENSIONS (IN)		
SIZE	DIAM.	H
2B	2 3/8	4 13/16

H = FREE & OPERATING HEIGHT

CERTIFICATION DATA

BY:

DATE:

DWG#: