



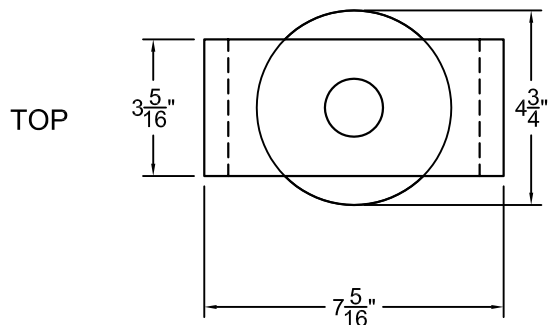
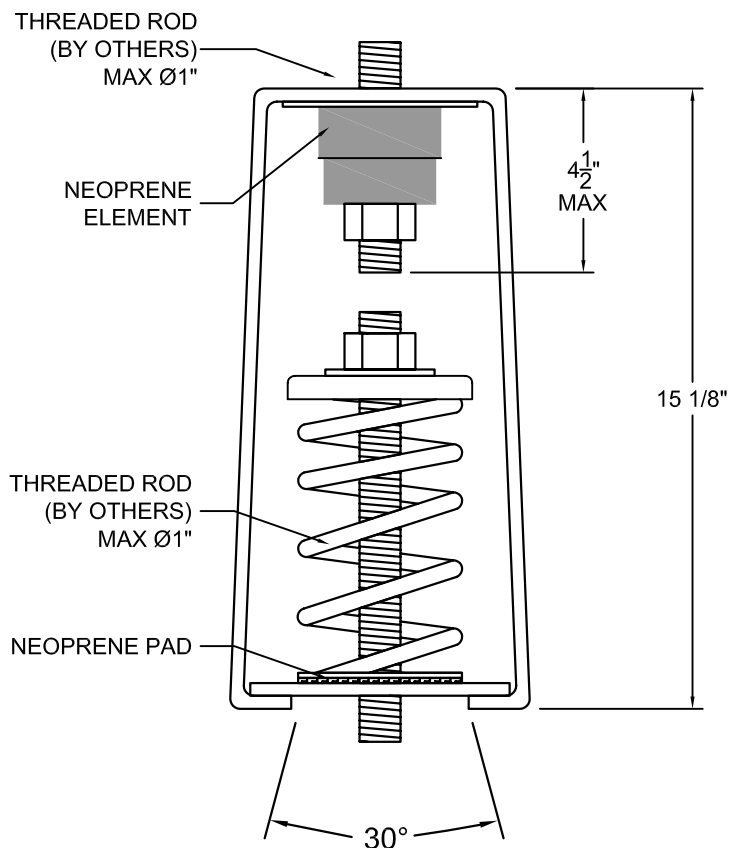
Novia Associates, Inc.
 1 Northwestern Dr.
 Salem, NH 03079
 Ph: 603-898-8600
 Fax: 603-898-2755
 email: info@noviaassociates.com

PROJECT: _____

CUSTOMER: _____

RSNH-E

3" DEFLECTION
 SPRING & NEOPRENE
 HANGER
 RSNH-E 100 12/01/05



SPRING DATA

SIZE	RATED CAPAC (LBS)	RATED DEFL (IN)	SPRING CONST (LBS/IN)	COLOR
E-311	311	3.84	93	ORG
E-410	410	3.70	128	RED
E-608	608	3.88	180	BLUE
E-774	774	3.72	240	GRN
E-1002	1002	3.96	290	BLK
E-1240	1240	3.52	410	GRAY

CORE SPRINGS: *683 RED; **1125 GREEN

SPRING O.D.	FREE HGT	RATIO OD/OH
4.00"	7.62"	0.89 - 0.91

*Rated Deflection combines spring and neoprene element deflection

Threaded rod sizes shown will be used unless otherwise specified.

Hangers are pre-compressed to 65% of Rated Capacity. When hangers are under full operational load, springs should compress an additional 1/4" ±.

Nut "B" and washer should be free. Loosen Nut "B" if it is not free. If pipe elevation changes (moves upwards) compensate by loosening Nut "A".

CERTIFICATION DATA

TAG _____
 UNIT _____

BY:

DATE:

DWG#: