



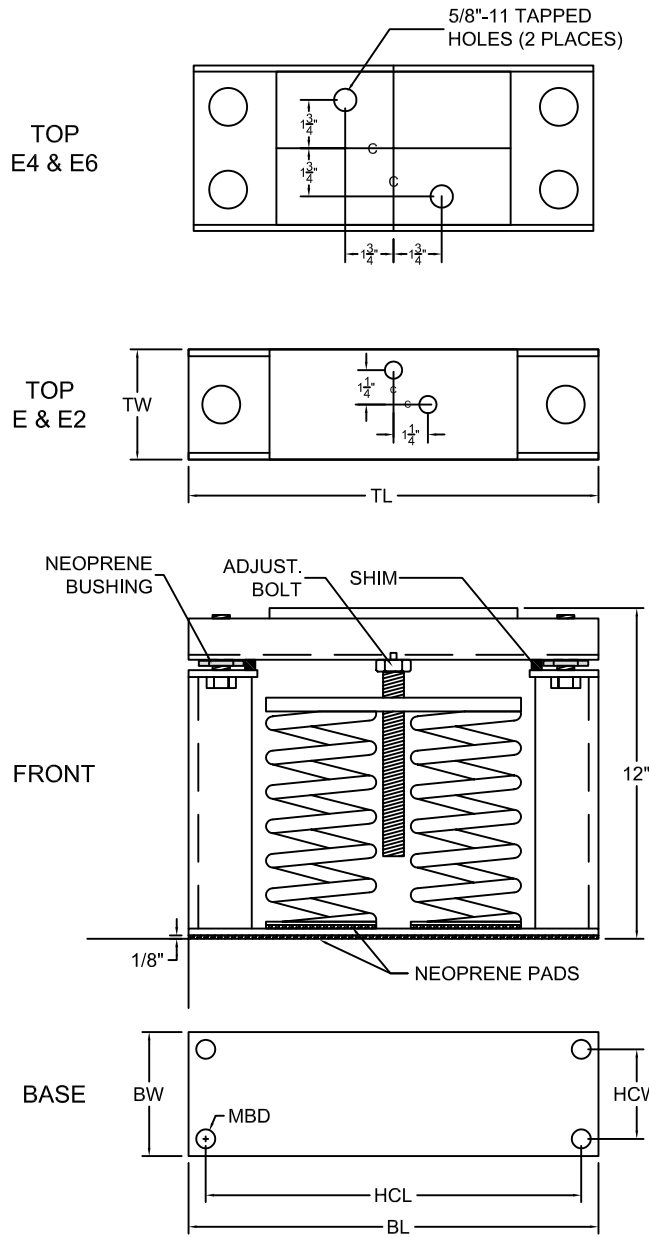
Novia Associates, Inc.
 1 Northwestern Dr.
 Salem, NH 03079
 Ph: 603-898-8600
 Fax: 603-898-2755
 email: info@noviaassociates.com

PROJECT: _____

CUSTOMER: _____

RSM-E

3" DEFLECTION
 RESTRAINED SPRING
 MOUNTING
 RSM-E 100 07/25/13



SPRING DATA				
SIZE	RATED CAPAC (LBS)	RATED DEFL (IN)	SPRING CONST (LBS/IN)	COLOR
E-311	311	3.34	93	ORG
E-410	410	3.20	128	RED
E-608	608	3.38	180	BLUE
E-774	774	3.22	240	GRN
E-1002	1002	3.46	290	BLK
E-1240	1240	3.02	410	GRAY
E-1457	1457	3.08	473	GRN*
E-1685	1685	3.22	523	BLK*
E-1923	1923	3.00	643	GRAY*
E-2365	2365	3.01	785	GRAY**
E2-2914	2914	3.08	946	GRN*
E2-3370	3370	3.22	1046	BLK*
E2-3798	3798	3.09	1230	GRN**
E2-4254	4254	3.20	1330	BLK**
E2-4730	4730	3.01	1570	GRAY**
E4-5828	5828	3.08	1892	GRN*
E4-6740	6740	3.22	2092	BLK*
E4-7692	7692	3.00	2572	GRAY*
E4-8508	8508	3.20	2660	BLK**
E4-9460	9460	3.01	3140	GRAY**
E6-10110	10110	3.22	3138	BLK*
E6-11538	11538	3.00	3858	GRAY*
E6-12762	12762	3.20	3990	BLK**
E6-14190	14190	3.01	4710	GRAY**

CORE SPRINGS: *683 RED; **1125 GREEN
 SPRINGS: E-1 (1) E2 (2) E4 (4) E6 (6)


SPRING O.D.	FREE HGT	RATIO OD/OH
4.00"	7.62"	0.89 - 0.91

RSM DIMENSIONS (IN)							
SIZE	BL	BW	TL	TW	HCL	HCW	MBD
E	10	4 1/2	10	4	8 3/4	3 1/4	11/16
E2	14 7/8	4 1/2	14-7/8	4	13 5/8	3 1/4	11/16
E4	16	9	14-1/2	6	14 1/2	7 1/2	3/4
E6	20 1/2	9	19	6	19	7 1/2	3/4

CERTIFICATION DATA

TAG _____

UNIT _____



MOUNT LOCATION PLAN VIEW

1	2
3	4
5	6
7	8
9	10

MATERIAL FOR ONE SET _____ SET(S) REQUIRED



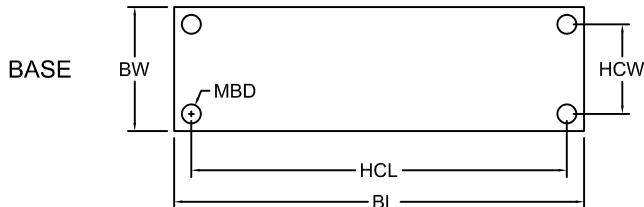
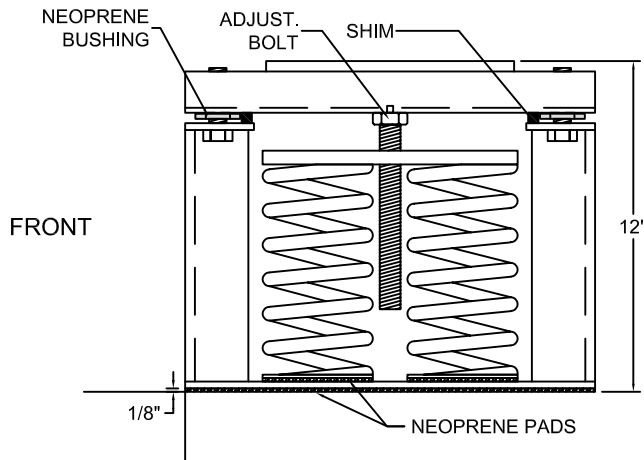
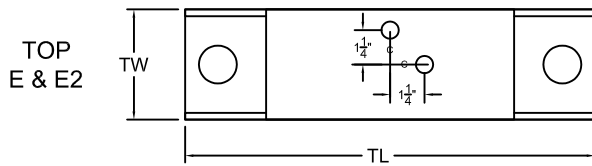
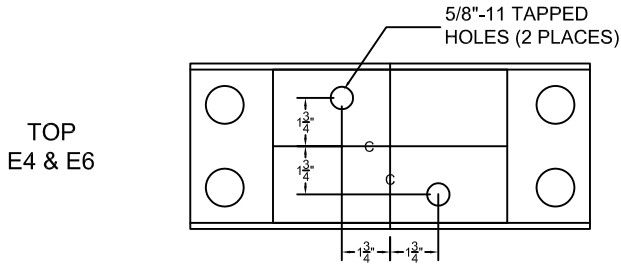
Novia Associates, Inc.
 1 Northwestern Dr.
 Salem, NH 03079
 Ph: 603-898-8600
 Fax: 603-898-2755
 email: info@noviaassociates.com

PROJECT: _____

CUSTOMER: _____

RSM-E

3" DEFLECTION
 RESTRAINED SPRING
 MOUNTING
 RSM-E 100 07/25/13



SPRING DATA

SIZE	RATED CAPAC (LBS)	RATED DEFL (IN)	SPRING CONST (LBS/IN)	COLOR
E-311	311	3.34	93	ORG
E-410	410	3.20	128	RED
E-608	608	3.38	180	BLUE
E-774	774	3.22	240	GRN
E-1002	1002	3.46	290	BLK
E-1240	1240	3.02	410	GRAY
E-1457	1457	3.08	473	GRN*
E-1685	1685	3.22	523	BLK*
E-1923	1923	3.00	643	GRAY*
E-2365	2365	3.01	785	GRAY**
E2-2914	2914	3.08	946	GRN*
E2-3370	3370	3.22	1046	BLK*
E2-3798	3798	3.09	1230	GRN**
E2-4254	4254	3.20	1330	BLK**
E2-4730	4730	3.01	1570	GRAY**
E4-5828	5828	3.08	1892	GRN*
E4-6740	6740	3.22	2092	BLK*
E4-7692	7692	3.00	2572	GRAY*
E4-8508	8508	3.20	2660	BLK**
E4-9460	9460	3.01	3140	GRAY**
E6-10110	10110	3.22	3138	BLK*
E6-11538	11538	3.00	3858	GRAY*
E6-12762	12762	3.20	3990	BLK**
E6-14190	14190	3.01	4710	GRAY**

CORE SPRINGS: *683 RED; **1125 GREEN
 SPRINGS: E-1 (1) E2 (2) E4 (4) E6 (6)

SPRING O.D.	FREE HGT	RATIO OD/OH
4.00"	7.62"	0.89 - 0.91

RSM DIMENSIONS (IN)

SIZE	BL	BW	TL	TW	HCL	HCW	MBD
E	10	4 1/2	10	4	8 3/4	3 1/4	11/16
E2	14 7/8	4 1/2	14-7/8	4	13 5/8	3 1/4	11/16
E4	16	9	14-1/2	6	14 1/2	7 1/2	3/4
E6	20 1/2	9	19	6	19	7 1/2	3/4

CERTIFICATION DATA

BY:

DATE:

DWG#: