



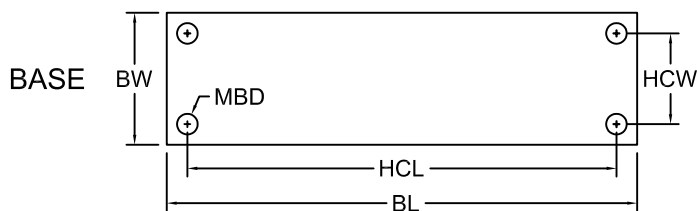
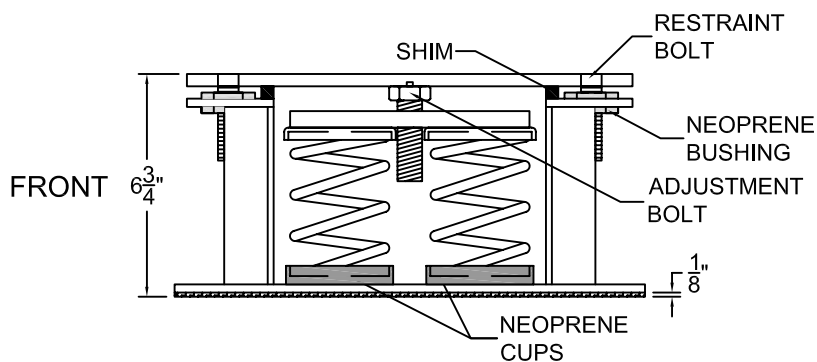
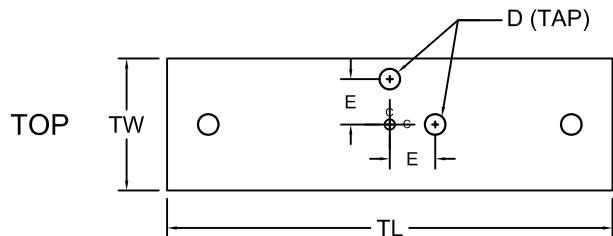
Novia Associates, Inc.
 1 Northwestern Dr.
 Salem, NH 03079
 Ph: 603-898-8600
 Fax: 603-898-2755
 email: info@noviaassociates.com

PROJECT: _____

CUSTOMER: _____

RSM-C

1" DEFLECTION
 RESTRAINED SPRING
 MOUNTING
 RSM-C 100 10/01/05



SPRING DATA

SIZE	RATED CAPAC (LBS)	RATED DEFL (IN)	SPRING CONST (LBS/IN)	COLOR
C-1061	1061	1.06	1000	ORG
C-1268	1268	1.01	1250	RED
C-1608	1608	1.07	1500	BLUE
C-1811	1811	1.03	1750	GRN
C-2000	2000	1.00	2000	BLK
C-2450^	2450	1.00	2450	GRAY
C-2750	2750	1.00	2750	BLK*
C-3000	3000	1.00	3000	BLK**
C-3450^	3450	1.00	3450	GRAY**
C2-4000	4000	1.00	4000	BLK
C2-4900^	4900	1.00	4900	GRAY
C2-5500	5500	1.00	5500	BLK*
C2-6000	6000	1.00	6000	BLK**
C2-6400^	6400	1.00	6400	GRAY*
C2-6900^	6900	1.00	6900	GRAY**
C4-8000	8000	1.00	8000	BLK
C4-9800^	9800	1.00	9800	GRAY
C4-11244	11244	1.02	11000	GRN**
C4-12800^	12800	1.00	12800	GRAY*
C4-13800^	13800	1.00	13800	GRAY**

CORE SPRINGS: *750 RED; **1000 GREEN
 C = 1 SPRING C2 = 2 SPRINGS C4 = 4 SPRINGS

SPRING O.D.	FREE HGT	RATIO OD/OH
3.00"	4.375"	0.89 - 0.91

RSM DIMENSIONS (IN)									
SIZE	BL	BW	TL	TW	HCL	HCW	MBD	D	E
C	10 1/4	4	9 1/2	4	9	2 3/4	5/8	5/8-11	1 3/8
C2	14 1/4	4	13 1/2	4	13	2 3/4	5/8	5/8-11	1 3/8
C4	14	7	12 3/4	6	12 1/2	4	3/4	3/4-9	1 3/4

^Published ratings allow for 30% additional travel to solid.
 For 50% additional travel, multiply Rated Capacity and Rated Deflection by 0.841.

CERTIFICATION DATA

TAG _____
 UNIT _____



MOUNT LOCATION PLAN VIEW

1	2
3	4
5	6
7	8
9	10

MATERIAL FOR ONE SET _____ SET(S) REQUIRED

BY:

DATE:

DWG#:



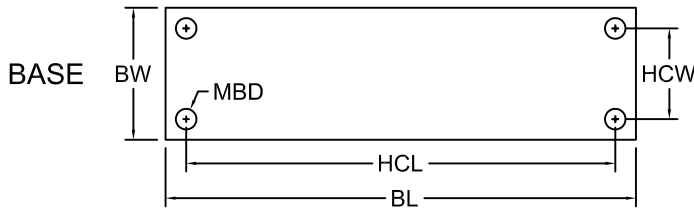
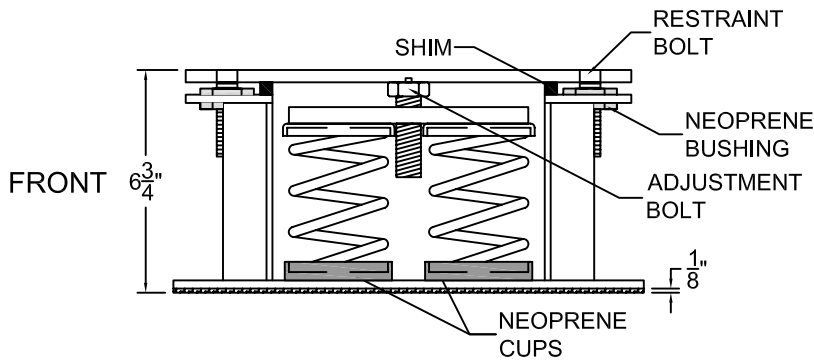
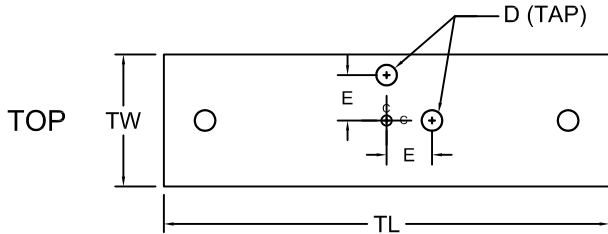
Novia Associates, Inc.
 1 Northwestern Dr.
 Salem, NH 03079
 Ph: 603-898-8600
 Fax: 603-898-2755
 email: info@noviaassociates.com

PROJECT: _____

CUSTOMER: _____

RSM-C

1" DEFLECTION
 RESTRAINED SPRING
 MOUNTING
 RSM-C 100 10/01/05



SPRING DATA

SIZE	RATED CAPAC (LBS)	RATED DEFL (IN)	SPRING CONST (LBS/IN)	COLOR
C-1061	1061	1.06	1000	ORG
C-1268	1268	1.01	1250	RED
C-1608	1608	1.07	1500	BLUE
C-1811	1811	1.03	1750	GRN
C-2000	2000	1.00	2000	BLK
C-2450^	2450	1.00	2450	GRAY
C-2750	2750	1.00	2750	BLK*
C-3000	3000	1.00	3000	BLK**
C-3450^	3450	1.00	3450	GRAY**
C2-4000	4000	1.00	4000	BLK
C2-4900^	4900	1.00	4900	GRAY
C2-5500	5500	1.00	5500	BLK*
C2-6000	6000	1.00	6000	BLK**
C2-6400^	6400	1.00	6400	GRAY*
C2-6900^	6900	1.00	6900	GRAY**
C4-8000	8000	1.00	8000	BLK
C4-9800^	9800	1.00	9800	GRAY
C4-11244	11244	1.02	11000	GRN**
C4-12800^	12800	1.00	12800	GRAY*
C4-13800^	13800	1.00	13800	GRAY**

CORE SPRINGS: *750 RED; **1000 GREEN
 C = 1 SPRING C2 = 2 SPRINGS C4 = 4 SPRINGS

SPRING O.D.	FREE HGT	RATIO OD/OH
3.00"	4.375"	0.89 - 0.91

RSM DIMENSIONS (IN)

SIZE	BL	BW	TL	TW	HCL	HCW	MBD	D	E
C	10 1/4	4	9 1/2	4	9	2 3/4	5/8	5/8-11	1 3/8
C2	14 1/4	4	13 1/2	4	13	2 3/4	5/8	5/8-11	1 3/8
C4	14	7	12 3/4	6	12 1/2	4	3/4	3/4-9	1 3/4

^Published ratings allow for 30% additional travel to solid.
 For 50% additional travel, multiply Rated Capacity and Rated Deflection by 0.841.

CERTIFICATION DATA

BY:

DATE:

DWG#: