

Novia Associates, Inc.
 1 Northwestern Dr.
 Salem, NH 03079
 Ph: 603-898-8600
 Fax: 603-898-2755
 email: info@noviaassociates.com

PROJECT: _____

CUSTOMER: _____

RSM-BW

1" DEFLECTION
 RESTRAINED SPRING
 MOUNTING
 RSM-BW 100 07/25/13

SPRING DATA

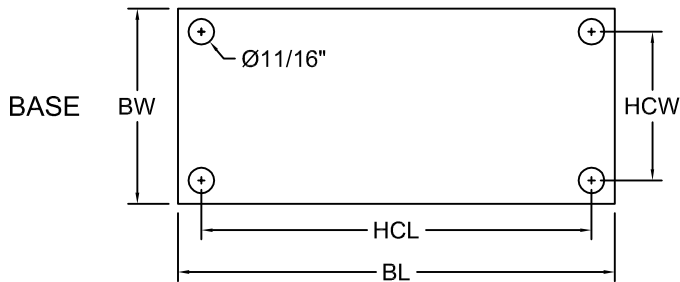
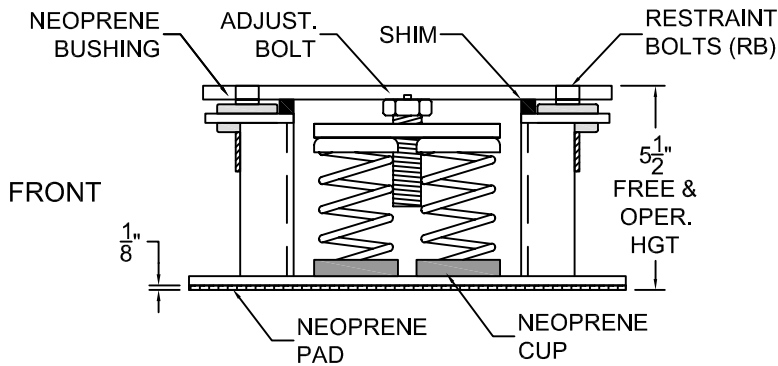
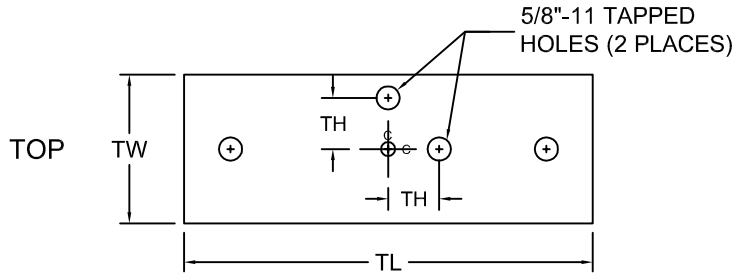
SIZE	RATED CAPAC (LBS)	RATED DEFL (IN)	SPRING CONST (LBS/IN)	COLOR
BW-261	261	1.04	250	GRN
BW-371	371	1.24	300	ORG
BW-640	640	1.28	500	BLUE
BW-731	731	1.04	700	BLK
BW-908	908	1.01	900	GRAY
BW-1044	1044	1.04	1000	BLK*
BW-1221	1221	1.02	1200	GRAY*
BW2-1462	1462	1.04	1400	BLK
BW2-1816	1816	1.01	1800	GRAY
BW2-2088	2088	1.04	2000	BLK*
BW2-2442	2442	1.02	2400	GRAY*
BW4-2924	2924	1.04	2800	BLK
BW4-3632	3632	1.01	3600	GRAY
BW4-4176	4176	1.04	4000	BLK*
BW4-4844	4844	1.01	4800	GRAY*

* 313 RED CORE SPRING
 BW = 1 SPRING, BW2 = 2 SPRINGS,
 BW-4 = 4 SPRINGS

SPRING O.D.	FREE HGT	RATIO OD/OH
2.00"	3.375"	0.84 - 0.96

RSM DIMENSIONS (IN)

SIZE	BL	BW	TH	TL	TW	HCL	HCW	RB
BW	8 5/8	4	1	7 7/8	4	7 3/8	2 3/4	2
BW2	11 3/4	4	1-3/8	11	4	10 1/2	2 3/4	2
BW4	11 3/4	5	1-3/8	11	5	10 1/2	3 3/4	4



CERTIFICATION DATA

TAG _____
 UNIT _____



MOUNT LOCATION PLAN VIEW

1	2
3	4
5	6
7	8
9	10

MATERIAL FOR ONE SET _____ SET(S) REQUIRED

BY:

DATE:

DWG#:



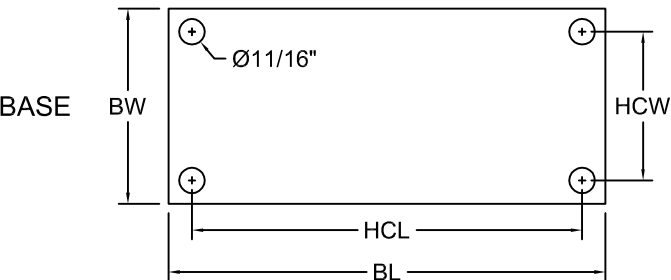
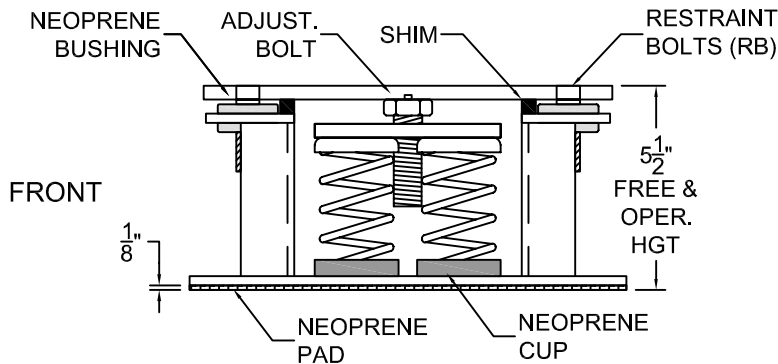
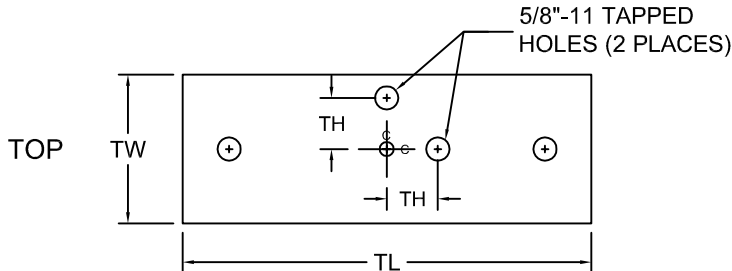
Novia Associates, Inc.
 1 Northwestern Dr.
 Salem, NH 03079
 Ph: 603-898-8600
 Fax: 603-898-2755
 email: info@noviaassociates.com

PROJECT: _____

CUSTOMER: _____

RSM-BW

1" DEFLECTION
 RESTRAINED SPRING
 MOUNTING
 RSM-BW 100 07/25/13



SPRING DATA

SIZE	RATED CAPAC (LBS)	RATED DEFL (IN)	SPRING CONST (LBS/IN)	COLOR
BW-261	261	1.04	250	GRN
BW-371	371	1.24	300	ORG
BW-640	640	1.28	500	BLUE
BW-731	731	1.04	700	BLK
BW-908	908	1.01	900	GRAY
BW-1044	1044	1.04	1000	BLK*
BW-1221	1221	1.02	1200	GRAY*
BW2-1462	1462	1.04	1400	BLK
BW2-1816	1816	1.01	1800	GRAY
BW2-2088	2088	1.04	2000	BLK*
BW2-2442	2442	1.02	2400	GRAY*
BW4-2924	2924	1.04	2800	BLK
BW4-3632	3632	1.01	3600	GRAY
BW4-4176	4176	1.04	4000	BLK*
BW4-4844	4844	1.01	4800	GRAY*

* 313 RED CORE SPRING
 BW = 1 SPRING, BW2 = 2 SPRINGS,
 BW-4 = 4 SPRINGS

SPRING O.D.	FREE HGT	RATIO OD/OH
2.00"	3.375"	0.84 - 0.96

RSM DIMENSIONS (IN)

SIZE	BL	BW	TH	TL	TW	HCL	HCW	RB
BW	8 5/8	4	1	7 7/8	4	7 3/8	2 3/4	2
BW2	11 3/4	4	1-3/8	11	4	10 1/2	2 3/4	2
BW4	11 3/4	5	1-3/8	11	5	10 1/2	3 3/4	4

CERTIFICATION DATA

BY:

DATE:

DWG#: