

Novia Associates, Inc.  
 1 Northwestern Dr.  
 Salem, NH 03079  
 Ph: 603-898-8600  
 Fax: 603-898-2755  
 email: info@noviaassociates.com

PROJECT: \_\_\_\_\_

CUSTOMER: \_\_\_\_\_

# RNM

RESTRAINED  
 NEOPRENE  
 MOUNTING  
 RNM 100 01/01/06

### NEOPRENE ELEMENT DATA

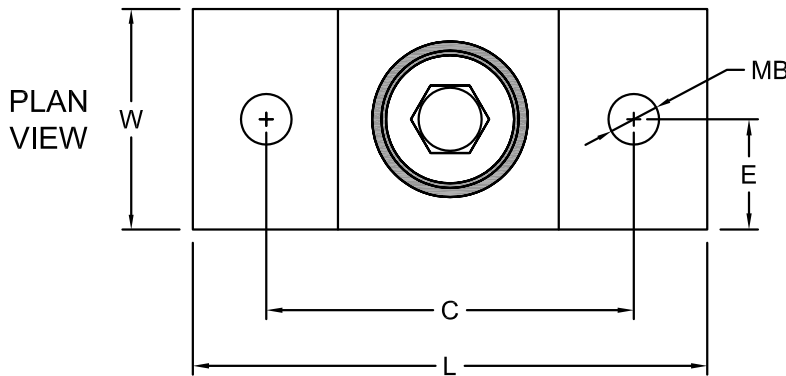
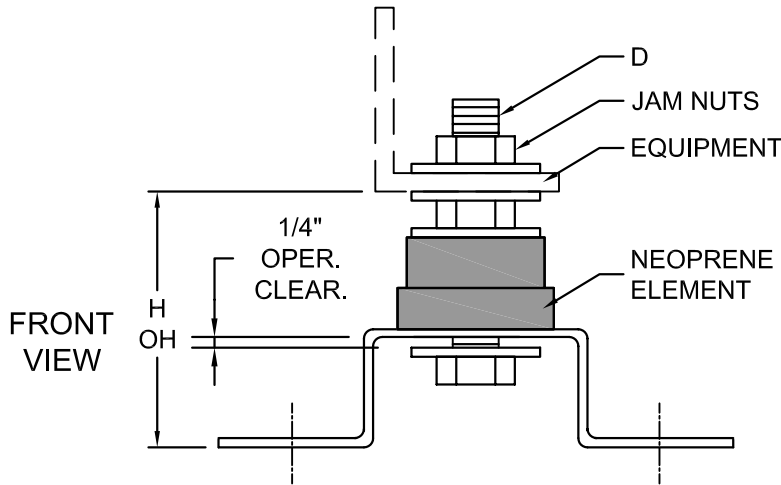
SIZE-COLOR	DURO-METER	RATED CAPAC (LBS)	RATED DEFL (IN)
A-BLU	40	59	0.35
A-GRN	50	103	0.35
A-RED	60	136	0.35
A-BLK	70	200	0.35
B-BLU	40	261	0.40
B-GRN	50	371	0.40
B-RED	60	731	0.40
B-BLK	70	908	0.40
C-BLU	40	1002	0.50
C-GRN	50	1505	0.50
C-RED	60	1980	0.50
C-BLK	70	2500	0.50

### RNM DIMENSIONS (IN)

SIZE	H	OH	W	L	C	D	E	MB
A	2 3/4	2 3/8	2 1/4	4 1/4	3 3/8	3/8	1	3/8
B	3 1/2	3 1/8	3	7	5 1/2	5/8	1 1/2	5/8
C	4 5/8	4 1/8	3	7	5 1/2	5/8	1 1/2	5/8

H = UNLOADED HEIGHT  
 OH = OPERATING HEIGHT

NOTE: LONGER "D" BOLT MAY BE FIELD SUBSTITUTED IF REQUIRED.



### CERTIFICATION DATA

TAG \_\_\_\_\_  
 UNIT \_\_\_\_\_



MOUNT LOCATION PLAN VIEW

1	2
3	4
5	6
7	8

MATERIAL FOR ONE SET \_\_\_\_\_ SET(S) REQUIRED

BY: \_\_\_\_\_

DATE: \_\_\_\_\_

DWG#: \_\_\_\_\_