

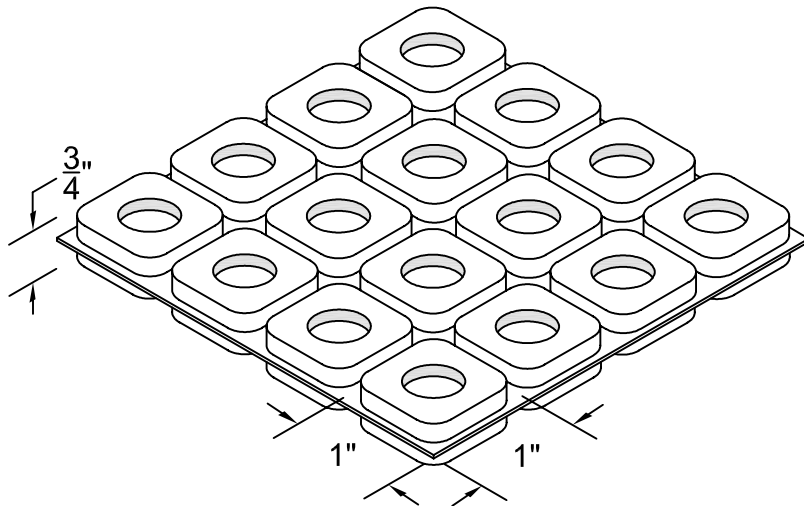


Novia Associates, Inc.
 1 Northwestern Dr.
 Salem, NH 03079
 Ph: 603-898-8600
 Fax: 603-898-2755
 email: info@
 noviaassociates.com

PROJECT :
 CUSTOMER :

NPW 75

NEOPRENE - WAFFLE
 PAD
 NPW 75 02/14/12

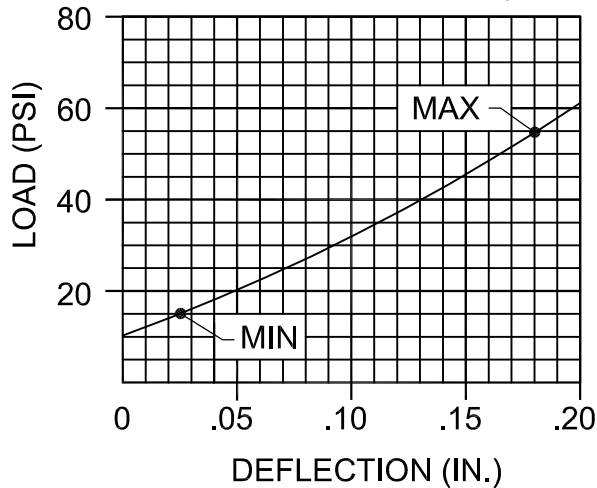


Waffle pattern on
 both sides

MODEL	MAX CAPAC. (LBS)	SIZE (IN)
NPW 75 1818	19,440	18 X 18 X 3/4
NPW 75 1212	8,640	12 X 12 X 3/4
NPW 75 0808	3,840	8 X 8 X 3/4
NPW 75 0606	2,160	6 X 6 X 3/4
NPW 75 0404	960	4 X 4 X 3/4
NPW 75 0202	240	2 X 2 X 3/4

Any size available
 in 1" increments

Recommended Loading



Notes:

Material: High Quality Ozone & Water Resistant 55 Duro Elastomer Blend
 Maximum Loading: 60 lbs. / sq. in.
 Working Range: 15 to 55 lbs. / sq. in.

NPW-75-P Indicates one layer of pad with steel load plate.
 NPW-75-2S Indicates two layers of pad with galvanized shim.
 NPW-75-2P Indicates two layers of pad with steel load plate & shim.

Features:

- * "Waffle Pad" design with built-in suction cups
- * No bolting required
- * Easy to cut

CERTIFICATION DATA

BY:

DATE:

DWG #.:

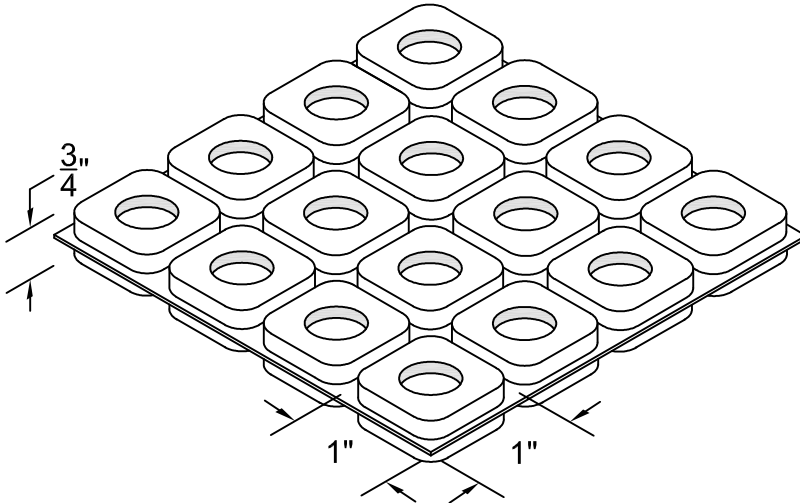


Novia Associates, Inc.
 1 Northwestern Dr.
 Salem, NH 03079
 Ph: 603-898-8600
 Fax: 603-898-2755
 email: info@noviaassociates.com

PROJECT :
 CUSTOMER :

NPW 75

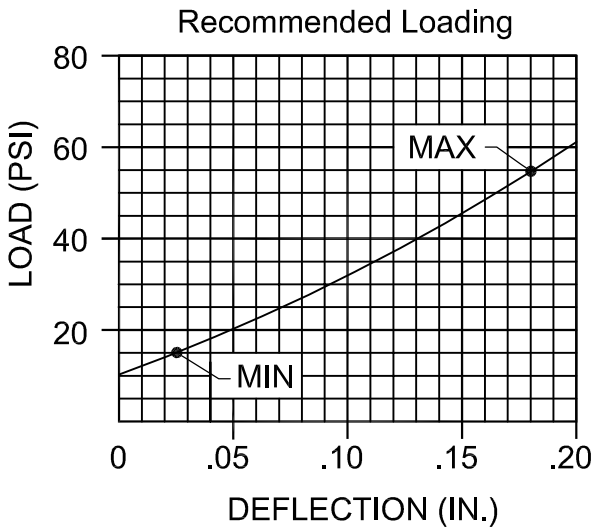
NEOPRENE - WAFFLE
 PAD
 NPW 75 02/14/12



Waffle pattern on both sides

MODEL	MAX CAPAC. (LBS)	SIZE (IN)
NPW 75 1818	19,440	18 X 18 X 3/4
NPW 75 1212	8,640	12 X 12 X 3/4
NPW 75 0808	3,840	8 X 8 X 3/4
NPW 75 0606	2,160	6 X 6 X 3/4
NPW 75 0404	960	4 X 4 X 3/4
NPW 75 0202	240	2 X 2 X 3/4

Any size available in 1" increments



Notes:
 Material: High Quality Ozone & Water Resistant 55 Duro Elastomer Blend
 Maximum Loading: 60 lbs. / sq. in.
 Working Range: 15 to 55 lbs. / sq. in.

NPW-75-P Indicates one layer of pad with steel load plate.
 NPW-75-2S Indicates two layers of pad with galvanized shim.
 NPW-75-2P Indicates two layers of pad with steel load plate & shim.

Features:
 * "Waffle Pad" design with built-in suction cups
 * No bolting required
 * Easy to cut

CERTIFICATION DATA

TAG _____
 UNIT _____



MOUNT LOCATION PLAN VIEW

MATERIAL PER SET	
1:	6:
2:	7:
3:	8:
4:	9:
5:	10:

[] SET(S) REQUIRED

BY:

DATE:

DWG #.: