



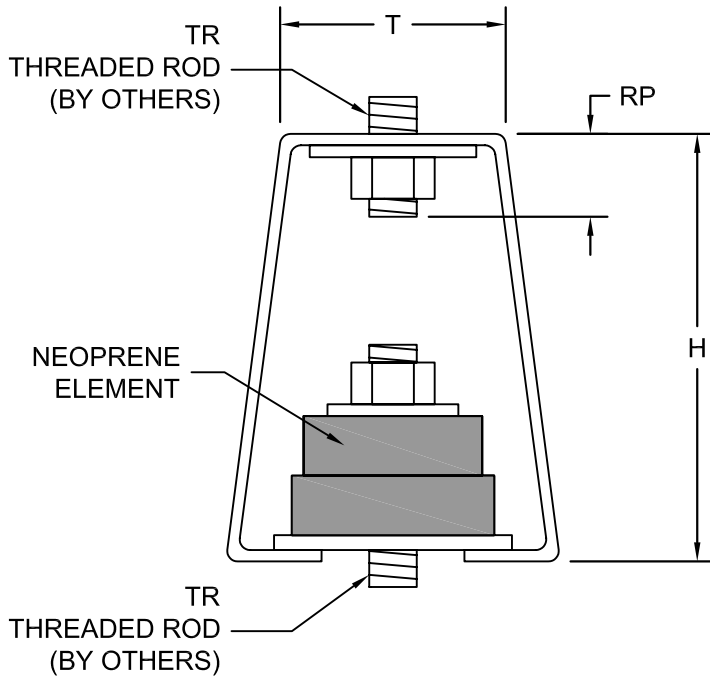
Novia Associates, Inc.  
 1 Northwestern Dr.  
 Salem, NH 03079  
 Ph: 603-898-8600  
 Fax: 603-898-2755  
 email: info@noviaassociates.com

PROJECT: \_\_\_\_\_

CUSTOMER: \_\_\_\_\_

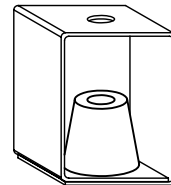
**NH**

NEOPRENE  
 HANGER  
 NH 100 09/01/04



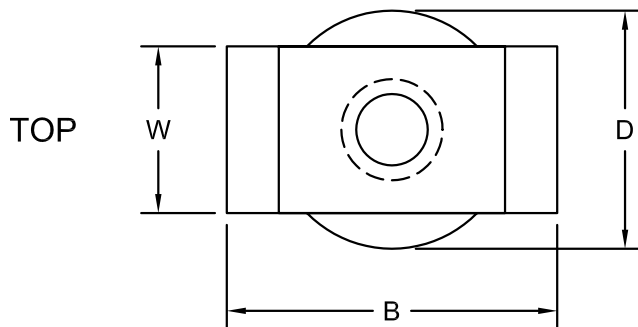
NEOPRENE ELEMENT DATA			
SIZE (COLOR STRIPE)	DURO-METER	RATED CAPAC (LBS)	RATED DEFL (IN)
A-BLU	40	59	0.35
A-GRN	50	103	0.35
A-RED	60	136	0.35
A-BLK	70	200	0.35
B-BLU	40	261	0.40
B-GRN	50	371	0.40
B-RED	60	731	0.40
B-BLK	70	908	0.40

NH DIMENSIONS (IN)							
SIZE	H	W	B	T	D	RP	TR
A	3 1/2	2	2 3/4	2 3/4	N/A	3/4	1/2
B	4 1/2	2	3 1/2	2 3/8	2 1/2	7/8	3/4



**A-SIZE  
 BOX**

Standard Finish:  
 NH- A Hot Dip Galvanized  
 NH- B Painted



**CERTIFICATION DATA**

TAG \_\_\_\_\_  
 UNIT \_\_\_\_\_



MOUNT LOCATION PLAN VIEW

1	2
3	4
5	6
7	8

MATERIAL FOR ONE SET \_\_\_\_\_ SET(S) REQUIRED

BY:

DATE:

DWG#:



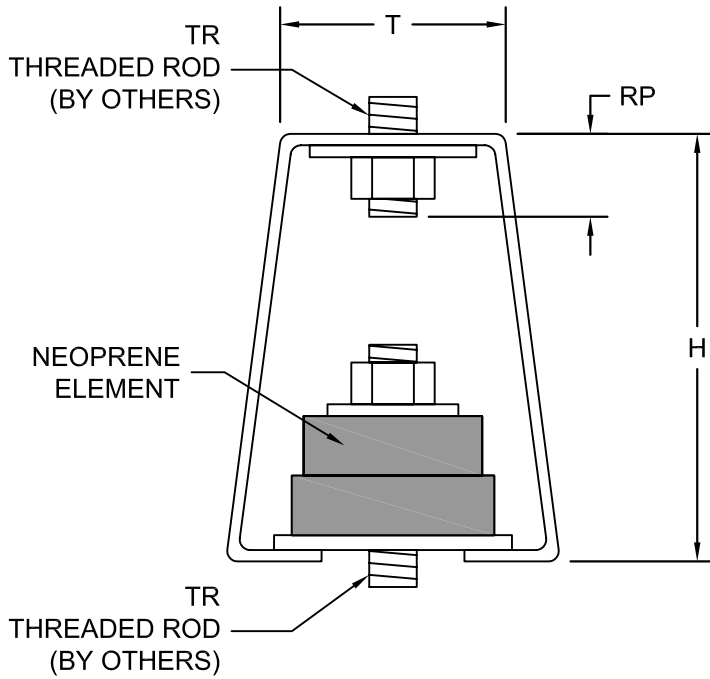
Novia Associates, Inc.  
 1 Northwestern Dr.  
 Salem, NH 03079  
 Ph: 603-898-8600  
 Fax: 603-898-2755  
 email: info@noviaassociates.com

PROJECT: \_\_\_\_\_

CUSTOMER: \_\_\_\_\_

**NH**

NEOPRENE  
 HANGER  
 NH 100 09/01/04

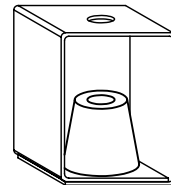


**NEOPRENE ELEMENT DATA**

SIZE (COLOR STRIPE)	DURO-METER	RATED CAPAC (LBS)	RATED DEFL (IN)
A-BLU	40	59	0.35
A-GRN	50	103	0.35
A-RED	60	136	0.35
A-BLK	70	200	0.35
B-BLU	40	261	0.40
B-GRN	50	371	0.40
B-RED	60	731	0.40
B-BLK	70	908	0.40

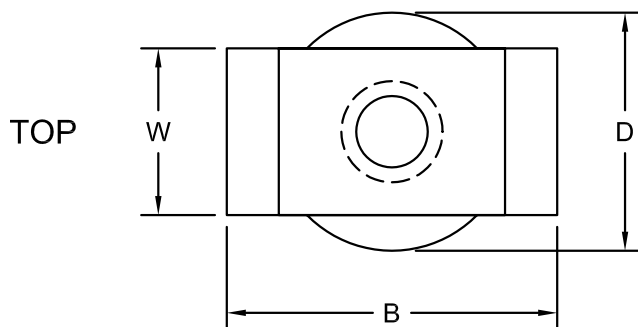
**NH DIMENSIONS (IN)**

SIZE	H	W	B	T	D	RP	TR
A	3 1/2	2	2 3/4	2 3/4	N/A	3/4	1/2
B	4 1/2	2	3 1/2	2 3/8	2 1/2	7/8	3/4



**A-SIZE  
 BOX**

Standard Finish:  
 NH- A Hot Dip Galvanized  
 NH- B Painted



CERTIFICATION DATA

\_\_\_\_\_