



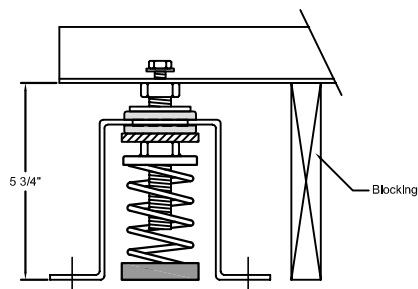
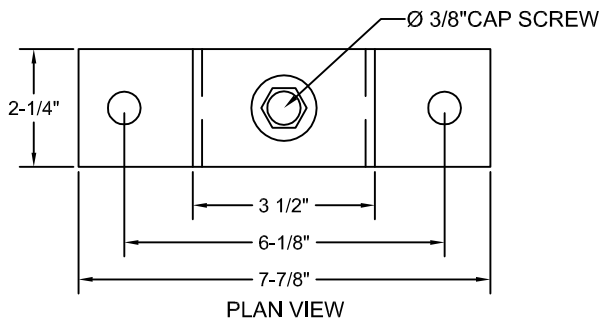
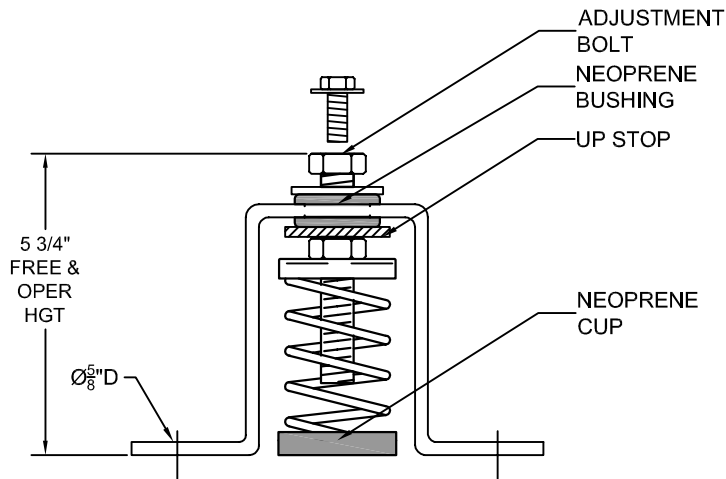
Novia Associates, Inc.
 1 Northwestern Dr.
 Salem, NH 03079
 Ph: 603-898-8600
 Fax: 603-898-2755
 email: info@noviaassociates.com

PROJECT: _____

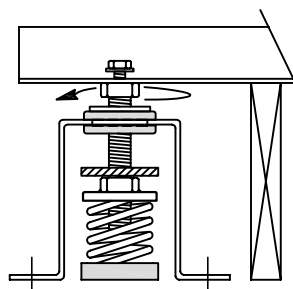
CUSTOMER: _____

ERSM-B

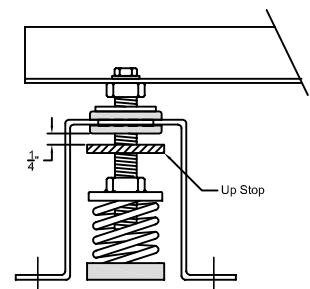
1" DEFLECTION
 RESTRAINED SPRING
 MOUNTING
 ERSM-B 100 07/25/13



BLOCK EQUIPMENT @ 5-3/4" HEIGHT
 CENTER ERSM's ON EQUIPMENT BOLT HOLES.
 ATTACH ERSM's TO EQUIPMENT & STRUCTURE.
 FINGER TIGHTEN CAP SCREW.



3 CCW TURNS ON EACH ADJUSTMENT
 BOLT - IN ROTATION.
 SKIP ERSM WHEN IT'S BLOCKING IS FREE.



LOCK DOWN CAP SCREWS.
 ADJUST "UP" STOP FOR 1/4" CLEARANCE.
 REMOVE BLOCKING.
 EQUIPMENT SHOULD MOVE FREELY.

INSTALLATION INSTRUCTIONS

SPRING DATA

SIZE	RATED CAPAC (LBS)	RATED DEFL (IN)	SPRING CONST (LBS/IN)	COLOR
B-261	261	1.04	250	GRN
B-371	371	1.24	300	ORG
B-640	640	1.28	500	BLUE
B-731	731	1.04	700	BLK
B-908	908	1.01	900	GRAY
B-1044	1044	1.04	1000	BLK*
B-1221	1221	1.02	1200	GRAY*
* 313 RED CORE SPRING				
SPRING O.D.	FREE HGT	RATIO OD/OH		
2.00"	3.375"	0.84 - 0.96		

CERTIFICATION DATA

_____ inch SPECIFIED DEFLECTION

TAG _____
 UNIT _____



MOUNT LOCATION PLAN VIEW

1	2
3	4
5	6
7	8
9	10

MATERIAL FOR ONE SET _____ SET(S) REQUIRED

BY:

DATE:

DWG#:



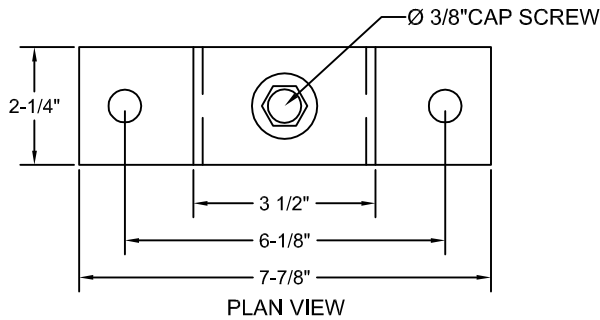
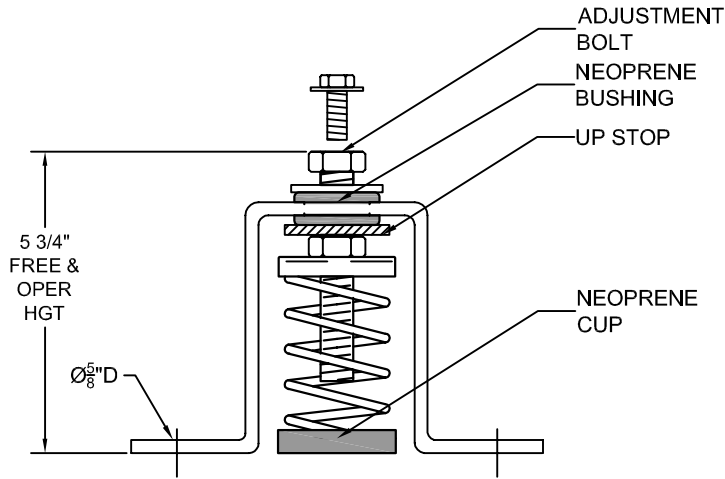
Novia Associates, Inc.
 1 Northwestern Dr.
 Salem, NH 03079
 Ph: 603-898-8600
 Fax: 603-898-2755
 email: info@noviaassociates.com

PROJECT: _____

CUSTOMER: _____

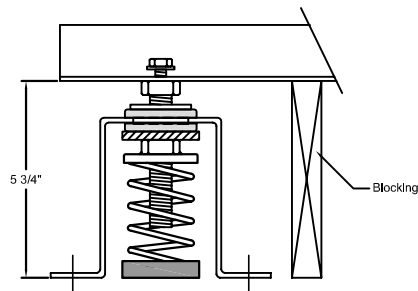
ERSM-B

1" DEFLECTION
 RESTRAINED SPRING
 MOUNTING
 ERSM-B 100 07/25/13

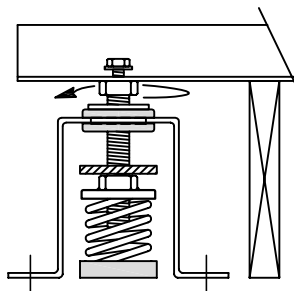


SPRING DATA

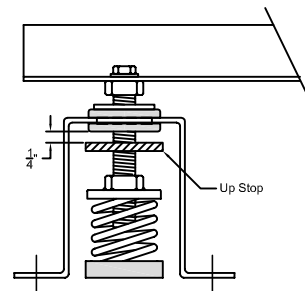
SIZE	RATED CAPAC (LBS)	RATED DEFL (IN)	SPRING CONST (LBS/IN)	COLOR
B-261	261	1.04	250	GRN
B-371	371	1.24	300	ORG
B-640	640	1.28	500	BLUE
B-731	731	1.04	700	BLK
B-908	908	1.01	900	GRAY
B-1044	1044	1.04	1000	BLK*
B-1221	1221	1.02	1200	GRAY*
* 313 RED CORE SPRING				
SPRING O.D.	FREE HGT	RATIO OD/OH		
2.00"	3.375"	0.84 - 0.96		



BLOCK EQUIPMENT @ 5-3/4" HEIGHT
 CENTER ERSM's ON EQUIPMENT BOLT HOLES.
 ATTACH ERSM's TO EQUIPMENT & STRUCTURE.
 FINGER TIGHTEN CAP SCREW.



3 CCW TURNS ON EACH ADJUSTMENT
 BOLT - IN ROTATION.
 SKIP ERSM WHEN IT'S BLOCKING IS FREE.



LOCK DOWN CAP SCREWS.
 ADJUST "UP" STOP FOR 1/4" CLEARANCE.
 REMOVE BLOCKING.
 EQUIPMENT SHOULD MOVE FREELY.

INSTALLATION INSTRUCTIONS

CERTIFICATION DATA

___ inch SPECIFIED DEFLECTION

BY:

DATE:

DWG#: