



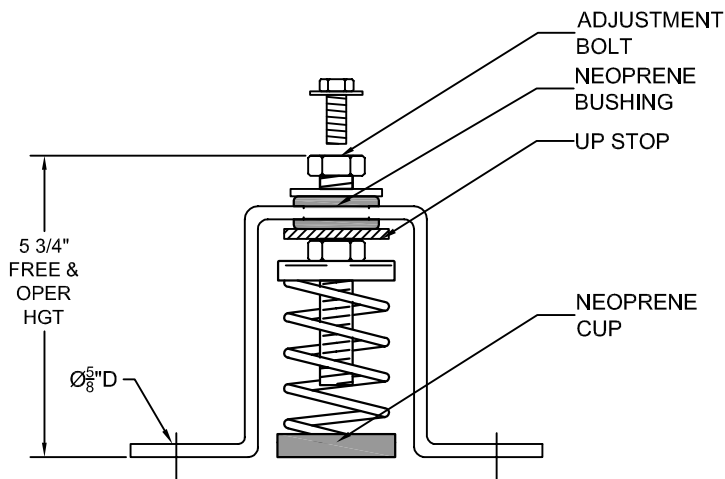
Novia Associates, Inc.
 1 Northwestern Dr.
 Salem, NH 03079
 Ph: 603-898-8600
 Fax: 603-898-2755
 email: info@noviaassociates.com

PROJECT: _____

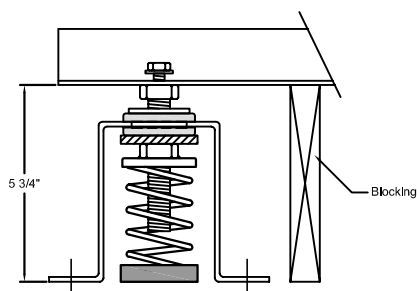
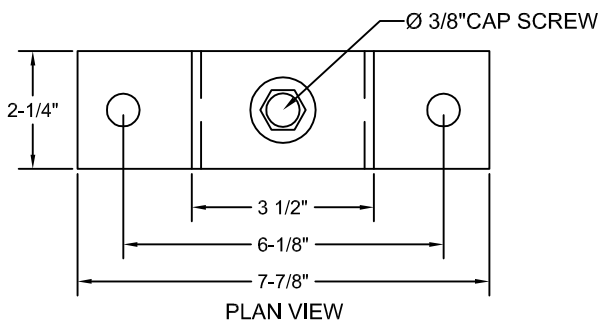
CUSTOMER: _____

ERSM-2B

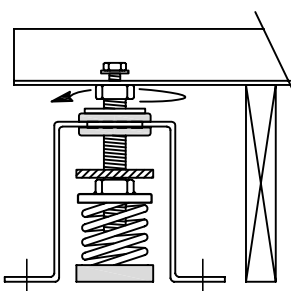
2" DEFLECTION
 RESTRAINED SPRING
 MOUNTING
 ERSM-2B 110 07/25/13



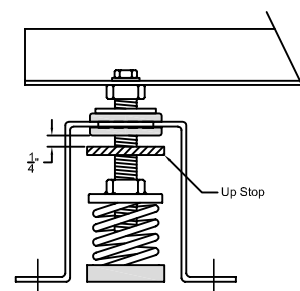
SPRING DATA				
SIZE	RATED CAPAC (LBS)	RATED DEFL (IN)	SPRING CONST (LBS/IN)	COLOR
2B-23	23	2.00	11.5	SILV/RED
2B-45	45	2.00	22.5	SILV/BLU
2B-90	90	2.00	45	SILV/GRN
2B-140	140	2.00	70	SILV/BLK
2B-200	200	2.00	100	SILV/GRAY
SPRING O.D.		FREE HGT	RATIO OD/OH	
2.00"		3.375"	0.84 - 0.96	



BLOCK EQUIPMENT @ 5-3/4" HEIGHT
 CENTER ERSM's ON EQUIPMENT BOLT HOLES.
 ATTACH ERSM's TO EQUIPMENT & STRUCTURE.
 FINGER TIGHTEN CAP SCREW.



3 CCW TURNS ON EACH ADJUSTMENT
 BOLT - IN ROTATION.
 SKIP ERSM WHEN IT'S BLOCKING IS FREE.



LOCK DOWN CAP SCREWS.
 ADJUST "UP" STOP FOR 1/4" CLEARANCE.
 REMOVE BLOCKING.
 EQUIPMENT SHOULD MOVE FREELY.

INSTALLATION INSTRUCTIONS

CERTIFICATION DATA

_____ inch SPECIFIED DEFLECTION

TAG _____
 UNIT _____



MOUNT LOCATION PLAN VIEW

1	2
3	4
5	6
7	8
9	10

MATERIAL FOR ONE SET _____ SET(S) REQUIRED

BY:

DATE:

DWG#:



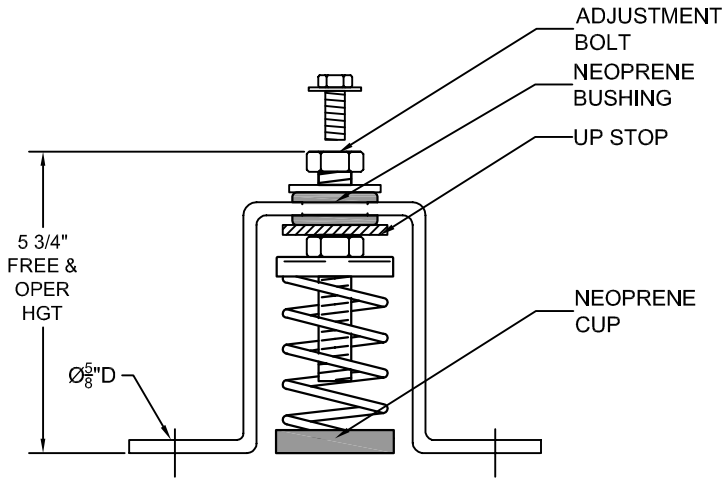
Novia Associates, Inc.
 1 Northwestern Dr.
 Salem, NH 03079
 Ph: 603-898-8600
 Fax: 603-898-2755
 email: info@noviaassociates.com

PROJECT: _____

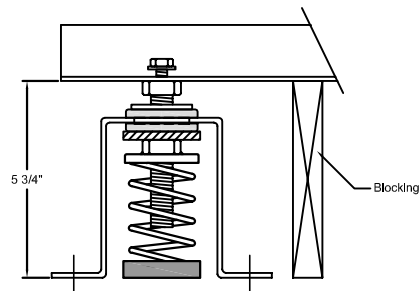
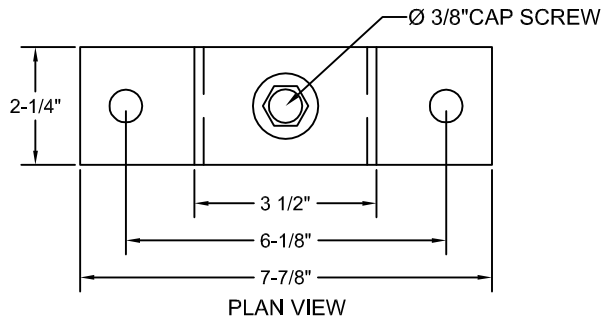
CUSTOMER: _____

ERSM-2B

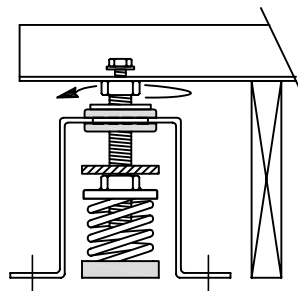
2" DEFLECTION
 RESTRAINED SPRING
 MOUNTING
 ERSM-2B 110 07/25/13



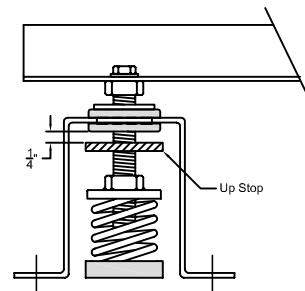
SPRING DATA				
SIZE	RATED CAPAC (LBS)	RATED DEFL (IN)	SPRING CONST (LBS/IN)	COLOR
2B-23	23	2.00	11.5	SILV/RED
2B-45	45	2.00	22.5	SILV/BLU
2B-90	90	2.00	45	SILV/GRN
2B-140	140	2.00	70	SILV/BLK
2B-200	200	2.00	100	SILV/GRAY
SPRING O.D.	FREE HGT	RATIO OD/OH		
2.00"	3.375"	0.84 - 0.96		



BLOCK EQUIPMENT @ 5-3/4" HEIGHT
 CENTER ERSM's ON EQUIPMENT BOLT HOLES.
 ATTACH ERSM's TO EQUIPMENT & STRUCTURE.
 FINGER TIGHTEN CAP SCREW.



3 CCW TURNS ON EACH ADJUSTMENT
 BOLT - IN ROTATION.
 SKIP ERSM WHEN IT'S BLOCKING IS FREE.



LOCK DOWN CAP SCREWS.
 ADJUST "UP" STOP FOR 1/4" CLEARANCE.
 REMOVE BLOCKING.
 EQUIPMENT SHOULD MOVE FREELY.

INSTALLATION INSTRUCTIONS

CERTIFICATION DATA

___ inch SPECIFIED DEFLECTION

BY:

DATE:

DWG#: