

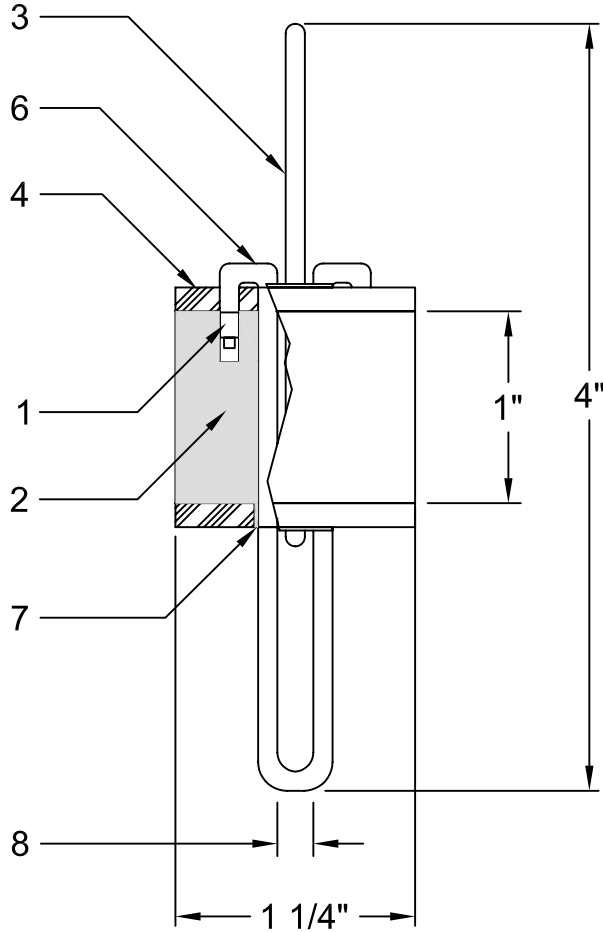


Novia Associates, Inc.
 1 Northwestern Dr.
 Salem, NH 03079
 Ph: 603-898-8600
 Fax: 603-898-2755
 email: info@noviaassociates.com

PROJECT :
 CUSTOMER :

ARH

RESILIENT
 HANGER
 ARH-100 11/01/02

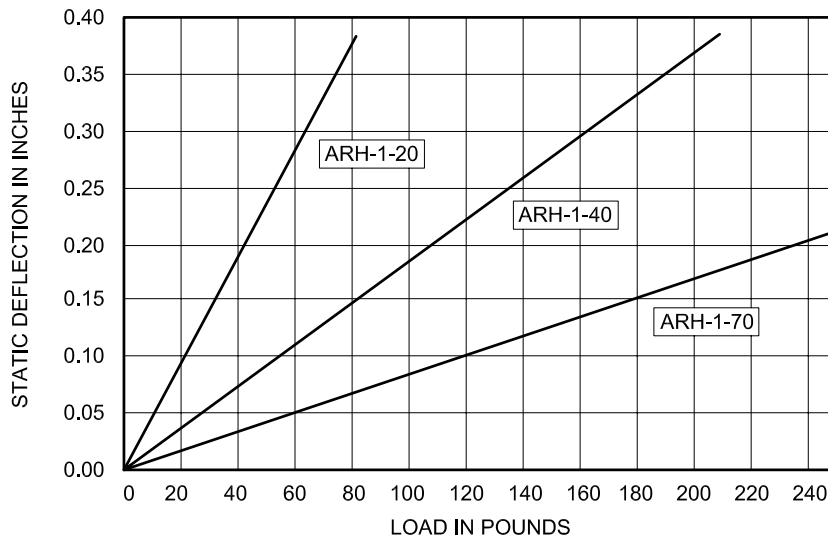


RESILIENT ELEMENT DATA

SIZE	RATED CAPAC (LBS)	RATED DEFL (IN)	COLOR
1-20	65	0.313	RED
1-40	120	0.250	BLACK
1-70	200	0.188	BLUE

1. Ends of steel hooks interlocked and swaged in place to provide failsafe construction.
2. High tensile gum rubber insert with antizonant added for long life.
3. 11 gage cold drawn steel wire.
4. Wrought steel pressure plates.
5. All metal parts zinc plated to prevent corrosion.
6. Gimbled construction for even load distribution.
7. Rubber collar prevents metal-to-metal contact.
8. Clearance for up to $\text{Ø}3/16$ " rod.

LOAD-DEFLECTION CURVES



BY:

DATE:

DWG #.: