



Novia Associates, Inc.
 1 Northwestern Dr.
 Salem, NH 03079
 Ph: 603-898-8600
 Fax: 603-898-2755
 email: info@noviaassociates.com

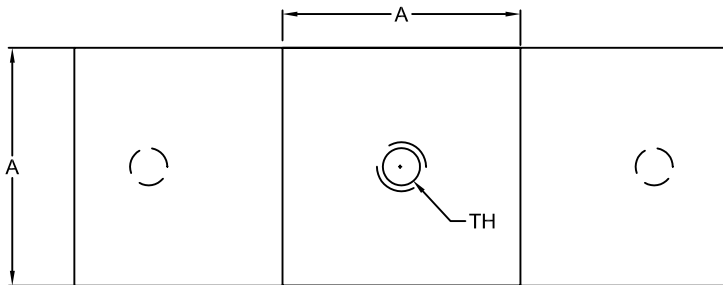
PROJECT: _____

CUSTOMER: _____

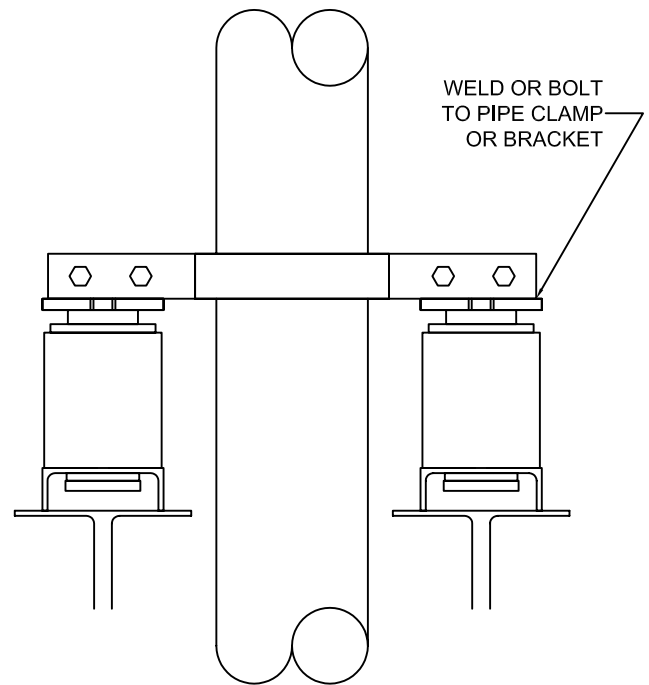
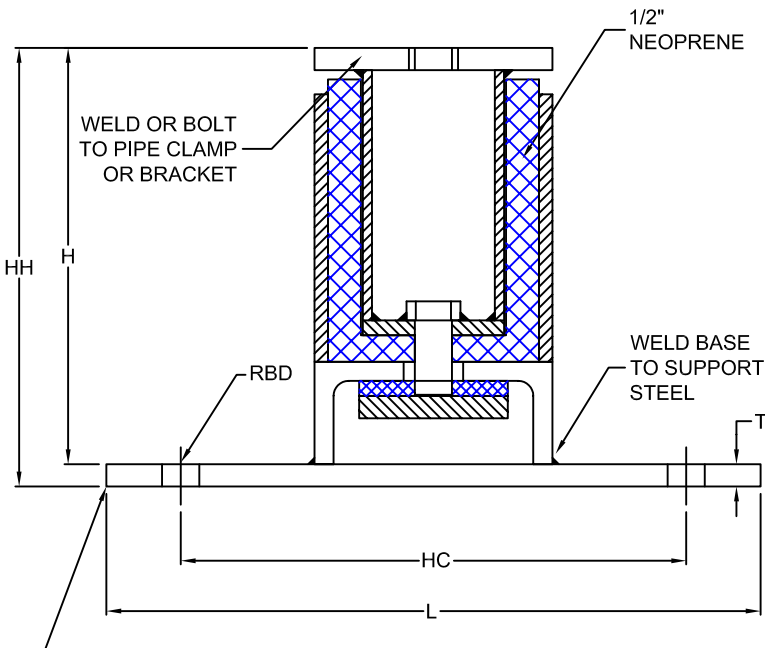
ADA

ALL DIRECTIONAL ANCHORS

ADA-100 11/01/02



TYPE ADA and ADAP RATINGS			
TYPE	SIZE	ANCHORING CAPACITY PER PAIR (lbs)	RATED DEFLECTION (in)
ADA-	75	1,000	0.1
	200	6,000	0.1
	350	24,000	0.1
ADAP- (with base plate)	600	60,000	0.1
	800	100,000	0.1



TYPE ADA and ADAP DIMENSIONS (inches)									
TYPE	SIZE	A	H	L	T	HC	HH	RBD**	TH
ADA-	75	3	4 1/2	6	1/4	5	4 3/4	3/8	1/2-13UNC
	200	4	7	11	3/8	8 1/2	7 3/8	5/8	5/8-11UNC
	350	*	7 1/4	12	1/2	9 1/2	7 3/4	3/4	NONE
ADAP-	600	9	11	14 1/2	3/4	12	11 3/4	1 1/4	NONE
	800	11	13 1/2	17 1/2	1	14 1/2	14 1/2	1 1/2	NONE

* Size 350 - Top is 5" x 5", Bottom is 6" x 6"

** RBD-Required Bolt Dia. for Max. Loading

BY:

DATE:

DWG#: